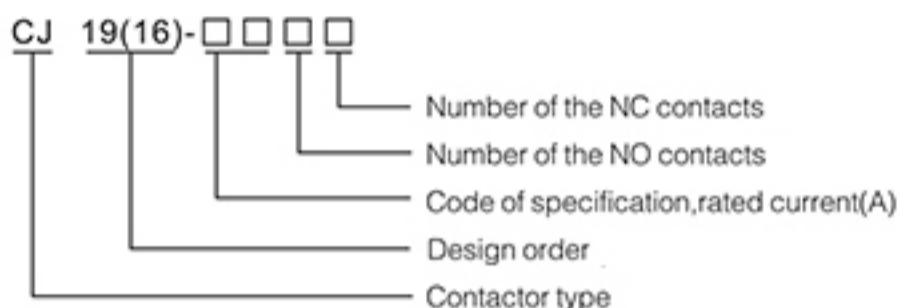


### Application

CJ19 switching capacitor contactor is specially used in the reactive power compensation circuit of AC50Hz(60Hz)voltage to 380V. It can effectively reduce the impact of switching inrush current on capacitors and reduce the switching overvoltage at the moment of interruption. It can replace the switching device consisting of three reactors of one contactor.

### Type and Meaning



### Features

The contactor is direct-action type and double-break contact construction, its system is divided into two layers of arrangement upper and lower in the upper layer, there is a flash flow suppression device composed of three pairs of precharge contacts and closing resistance. When the switch is closed, the device is first made, and then, after several milliseconds the working contacts are made, permanent magnetic latch of the precharge contacts is released by reaction of the spring, and the closing resistance is broken, so the capacitor is working normally. Contactors of 12, 18, 20kvar have two pairs of auxiliary contacts, and contactors of 30kvar have three pairs of auxiliary contacts.

Terminals of the contactors are protected by insulation covers so it is safe and reliable to use them. Voltage data is marked at terminals of coils so as to avoid wrong connections. 12, 18, 20kvar contactors can be mounted not only by screws but also by putting the bottom sliders to 35mm standard tracks. In the screen, there is a rectangular white plate which can be torn down. Users can print item code on the plate.

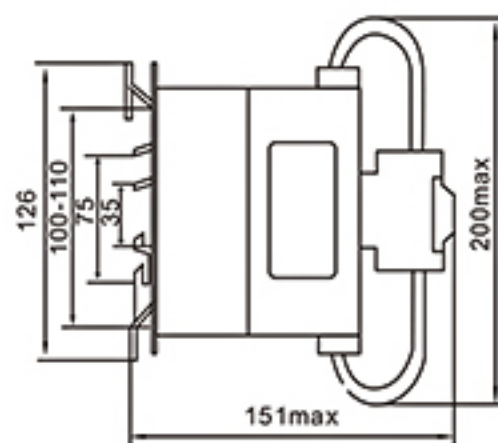
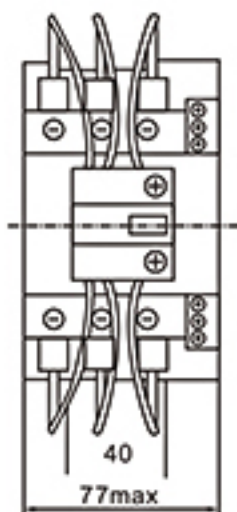
### Specifications

#### 1. Specifications

project	specifications	CJX19(16)-25	CJX19(16)-32	CJX19(16)-43	CJX19(16)-63	CJX19(16)-95
Controllable capacitor capacity (kvar)		6	9	10	15	30
		12	18	20	30	40
Rated insulation voltage	(V)	500				
Rated operating voltage	(V)	380				
Agreed heating current	(A)	25	32	43	63	95
Rated working current	(A)	17	25	29	43	63
Controlling inrush capacity		20Ie				
Control power supply voltage	(V)	48、110、127、220、380				
Assisted contact agreed heating current	(A)	10				
Operating frequency	/h	120				

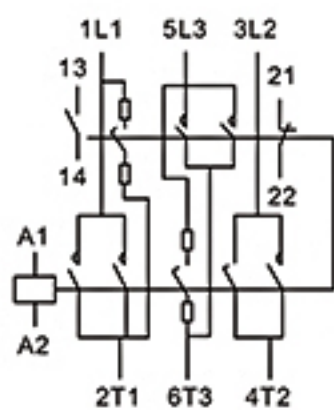
2. Control coil voltage: 50Hz, 24V, 36V, 48V, 110V, 127V, 220V, 380V, 415V, 550V, 660V can be manufactured according to users requirements. voltage consumption of coil: 50Hz, 24V, 36V, 48V, 110V, 127V, 220V, 380V, 415V, 550V, 660V can be manufactured according to users requirements.

## Outline & Mounting size



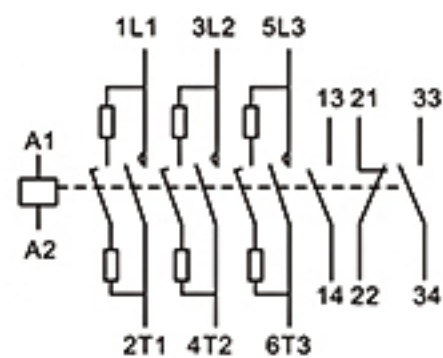
CJ19(16)-63

## Connection Diagrams



CJ19-25, 32, 43

Ⓐ Fig.2Ⓐ



CJ19-63

Ⓑ Fig.2Ⓑ