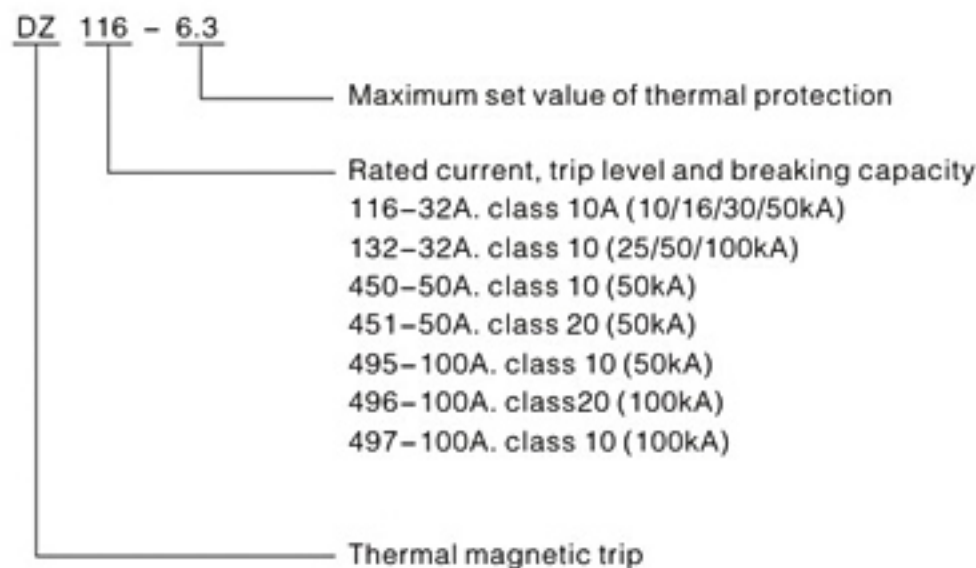
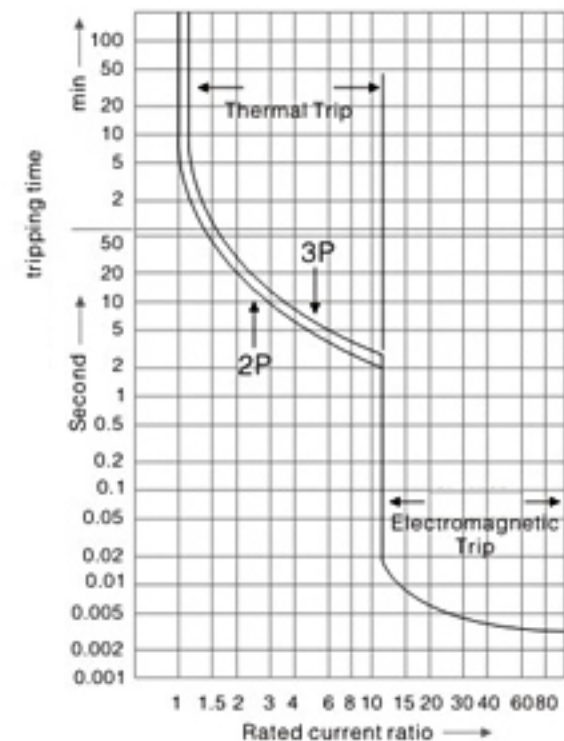


MS116 motor starter is a reliable and cost-effective motor protection solution. It has a very wide range of applications. Generally used in engineering and factories, industrial systems, conveyor systems, chemical industries including process processing, pharmaceutical industry, building automation (such as air conditioning systems), environmental protection factories, power plants, water purification and sewage treatment, machine tool industry, etc. The rated current ranges from 0.1A to 100A. It can provide efficient and reliable overload, short circuit, phase failure, and undervoltage protection for motors and circuits.

Model and name



Trip Diagram

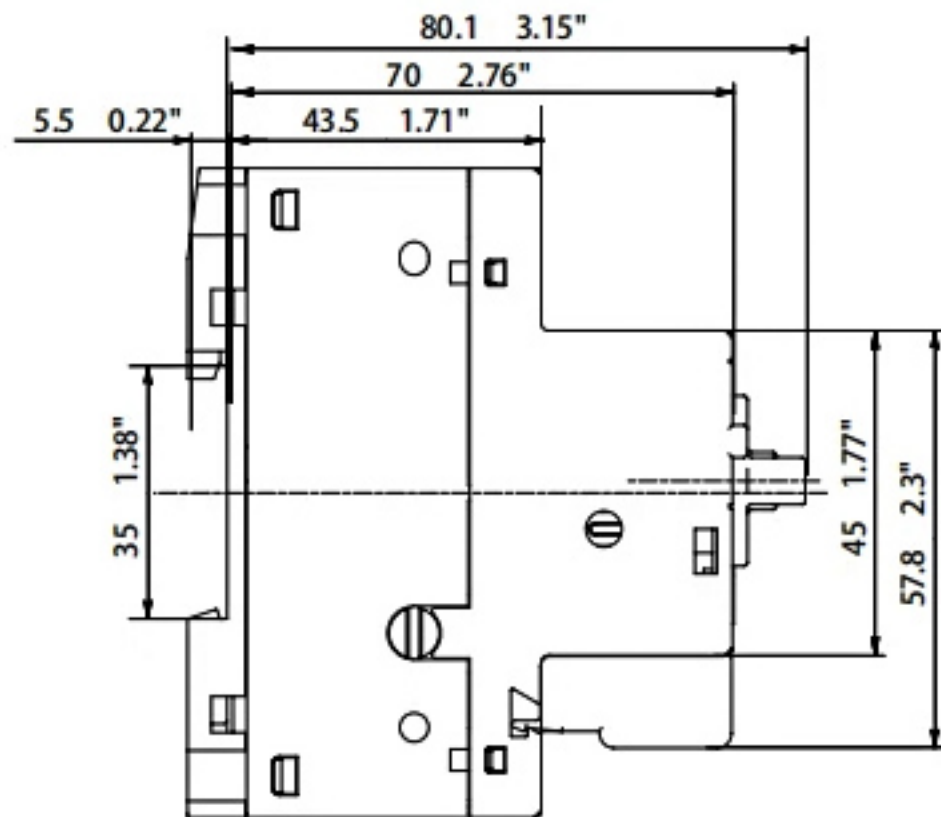
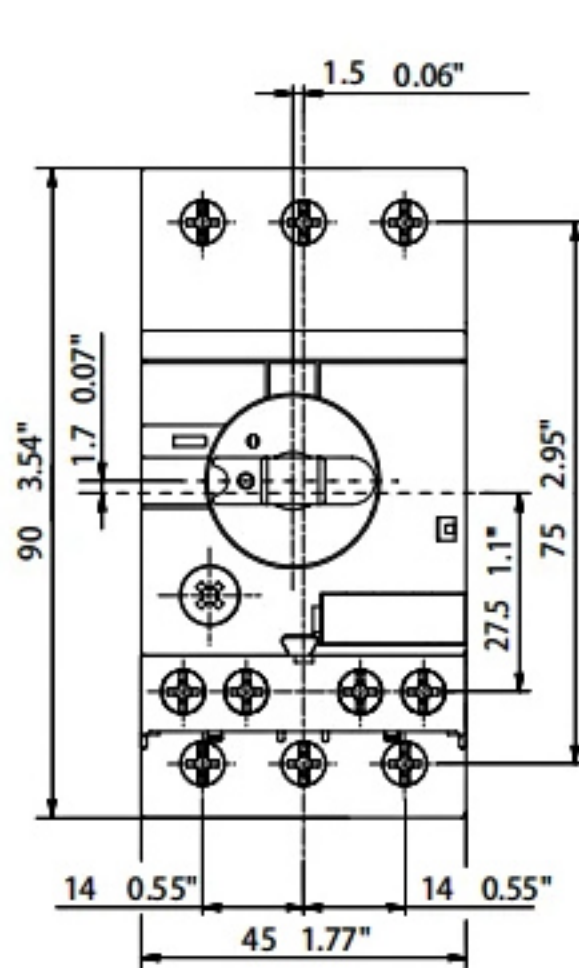


Specifications

type			Dz116	Dz132	DZ450/451	DZ495/496/497
Rated insulation voltage U_i	IEC EN 60947	VAC	690			
	CSA/UL/NEMA	VAC	600			
Rated operating voltage U_e	V		690AC			
Rated impulse withstand voltage U_{imp}	KV		6			
Rated operating current I_e	A		32A	32A	50A	100A
Rated continuous heating current I_{th}	A		32A	32A	50A	100A
Rated frequency	Hz		50/60			
Current setting range I_e	A		0.1~32	0.1~32	11~50	28~100
Short to the breaking capacity I_e	400V		Max50kA	Max100kA	Max50kA	Max100kA

External Dimensions(mm)

MS116 \leq 16 A & MS116-HKF1-11 \leq 16 A



MS116 \geq 20 A & MS116-HKF1-11 \geq 20 A

