



CJX8-9



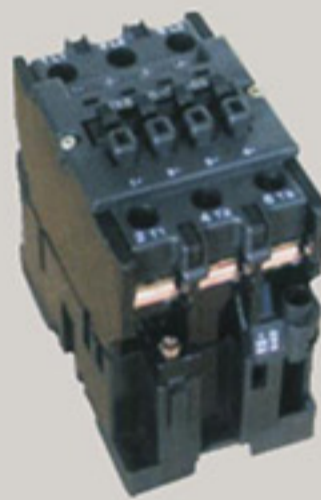
CJX8-12



CJX8-16



CJX8-25



CJX8-30



CJX8-37



CJX8-45



CJX8-65



CJX8-85



CJX8-105



CJX8-170



CJX8-250



CJX8-370

Application

CJX8(B) series A.C. contactors, mainly used in 50/60Hz electrical lines of the rated voltage up to 660V A.C. and of the rated current up to 475A, are applicable for remote making and breaking of electrical lines of frequent control of A.C. motors, having no-voltage protection. Usually, it can be combined with JR29, T series thermal relay to form a electromagnetic starters which have overload and openphase protection.

Features

CJX8-9 ~ 30 "face-up type", it means that contact system is installed in the front, magnetic system is at the back (near to the installation panel), CJX8-37 ~ 370 is "flip-chip type". It means that the magnetic system is in the front and master contact system is at the back. The movable contact is bridge type structure. Master static contact of more than CJX8-105 and master connection can be separated. Don't remove the main guideline when changing the contact. CJX8-9 ~ 25 is four pairs of contacts (three pairs of master contacts, one pair of auxiliary contacts or four pairs of master contacts). The frame of more than CJX8-30 Movable contact is installed with 3 movable contacts. Don't add the master contact number.

CJX8-9 ~ 25 adopts sealed type natural arc extinguishing, CJX8-30 ~ 45 adopts ferromagnetic strip arc extinguishing. More than CJX8-65 adopts ferromagnetic bar. Kinds of products adopt arc-resistance plastic arc enclosure.

CJX8-9 ~ 30 can be installed rapidly in the installation snap gauge in accordance with European standard. The series contact can be installed with different type auxiliary contact. Add application convenience. (see table)

The product conforms to the standards of IEC947-4-1, VDE0660, NFC63-110, NBNC63158, CE117-3, BS5424, EN50012 and GB14048.4-93

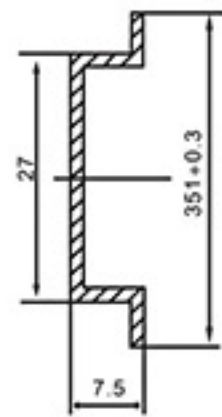
Specifications

Type	CJX8-9 B9	CJX8-12 B12	CJX8-16 B16	CJX8-25 B25	CJX8-30 B30	CJX8-37 B37	
Rated insulation voltage	-750						
Conventional thermal current	16	20	25	40	45	45	
Rated operating current	380V	8.5	11.5	15.5	22	30	37
	660V	3.5	4.9	6.7	13	17.5	21
Rated controlled power	380V	4	5.5	7.5	11	15	18.5
	660V	3	4	5.5	11	15	18.5
Coil power	Starting	60/50	60/50	60/50	85/65	85/65	175/125
	Absorbing and enduring	9/2.2	9/2.2	9/2.2	10/3	10/3	22/5
Coil voltage	AC	24、36、48、110、127、220、380、415					
	DC	24、48、110、220					
Attached Auxiliary Contact type and quantity	(0~4个) CA7					(0~4个) CA9	

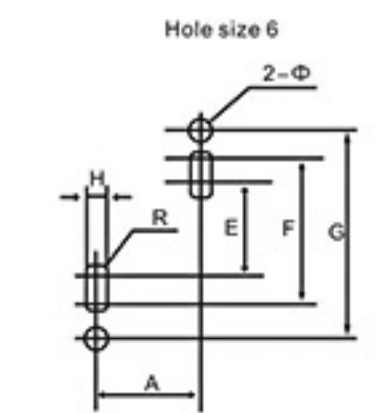
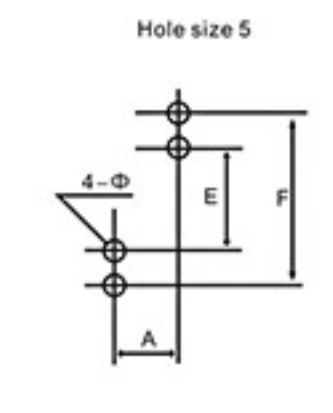
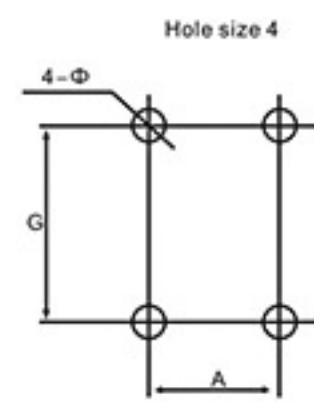
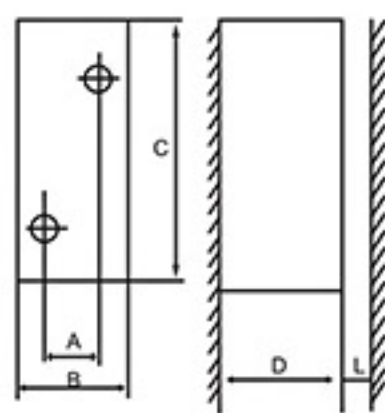
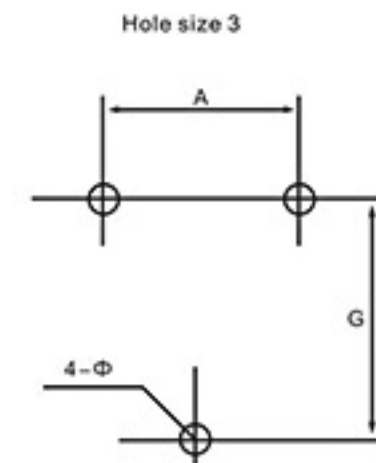
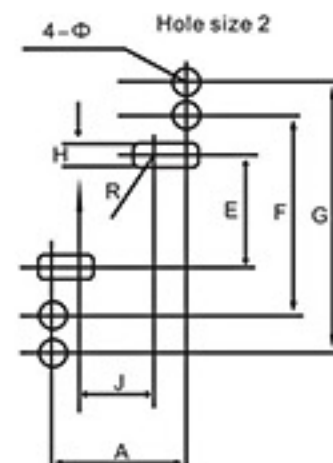
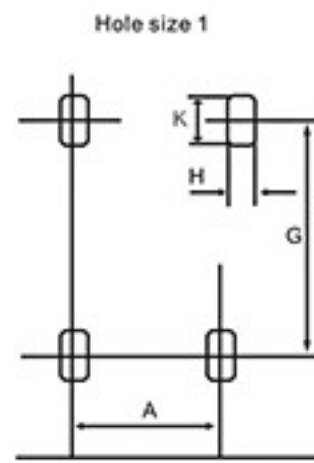
Specifications

Type	CJX8-45 B45	CJX8-65 B65	CJX8-85 B85	CJX8-105 B105	CJX8-170 B170	CJX8-250 B250	CJX8-370 B370
Rated insulation voltage	-750						
Conventional thermal current	60	80	100	140	230	330	410
Rated operating current	380V	44	65	85	105	170	370
	660V	25	45	55	82	118	268
Rated controlled power	380V	22	33	45	55	90	200
	660V	22	40	50	75	110	250
Coil power	Starting	175/125	270/130	270/130	510/280	790/460	1900/850
	Absorbing and enduring	22/5	30/8	30/8	32/9	60/15	100/27
Coil voltage	AC	24、36、48、110、127、220、380、415					
	DC	24、48、110、220					
Attached Auxiliary Contact type and quantity	(0~4个) CA9			(0~4个) CA11			

Outline & Mounting Size



Sectional dimension of installation snap gauge.



Size Type	A	B	C	D	E	F	G	H	R	J	K	Φ	Hole size	Note
B9、B12、B16	35	44	67	82			48	4.2			3		1	B9,B12, B16, B25, B30 installation rail fix, size see figure
B25	45	54	81	87	50	60	70	4.5	2.25	40		4.4	2	
B30	45	54	90	94	70	80						4.4	5	
B37、B45	70	81	112	125	80	100						6.2	5	
B65、B85	80	92	132	140	80	90	110	6.2	3.1			6.2	6	
B105	35	116	152	135			140					6.2	4	
B170	40	133	163	150			150					7.5	4	
B250	50	165	205	190			190					7.5	4	
B370	60	200	250	218			220					8.5	4	