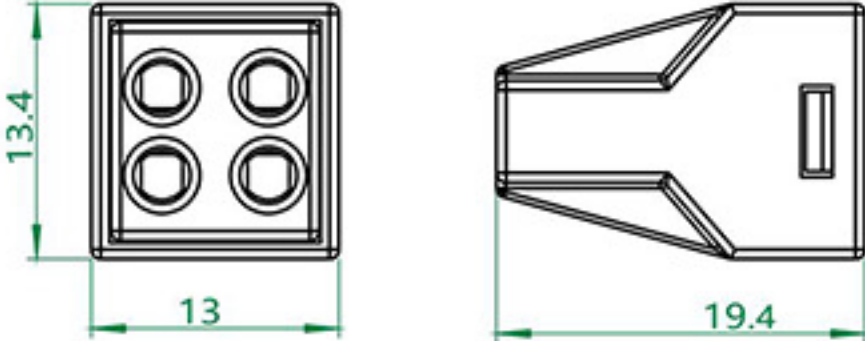



The product is suitable for connecting wires such as motors, electrical control, power supplies, household appliances, lighting, machinery, etc.

### PCT-10 Series

 PCT-102	
 PCT-104	
 PCT-106	
 PCT-108	

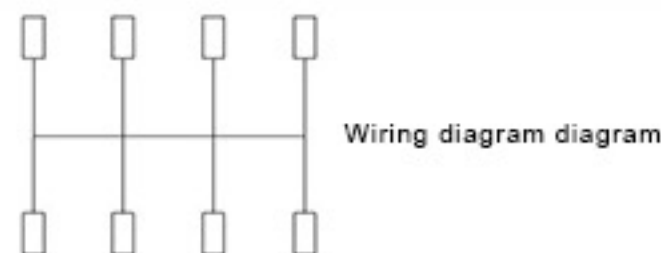
### Technical parameter

Model	PCT-102	PCT-104	PCT-106	PCT-108
Appearance Specification				
Reference standard	IEC	IEC	IEC	IEC
Rated voltage	250V	250V	250V	250V
Rated current	24A	24A	24A	24A
Wire diameter	0.5-2.5mm <sup>2</sup>	0.5-4mm <sup>2</sup>	0.5-2.5mm <sup>2</sup>	0.5-2.5mm <sup>2</sup>
Voltage resistance	4kV	4kV	4kV	4kV
Mechanical properties				
Ambient temperature	-40°C~+105°C	-40°C~+105°C	-40°C~+105°C	-40°C~+105°C
Strip length	10-12mm	10-12mm	10-12mm	10-12mm
L/W/H	19.6×9.1×12.9	19.4×13×13.4	19.4×18.6×13.4	19.4×24.2×13.4
The number of poles	2P	4P	6P	8P
Lid colour	Yellow	Orange	Purple	Grey
Plastic parts	PC,UL94,V-2	PC,UL94,V-2	PC,UL94,V-2	PC,UL94,V-2
Shrapnel	S301	S301	S301	S301
Conductor material	T2	T2	T2	T2

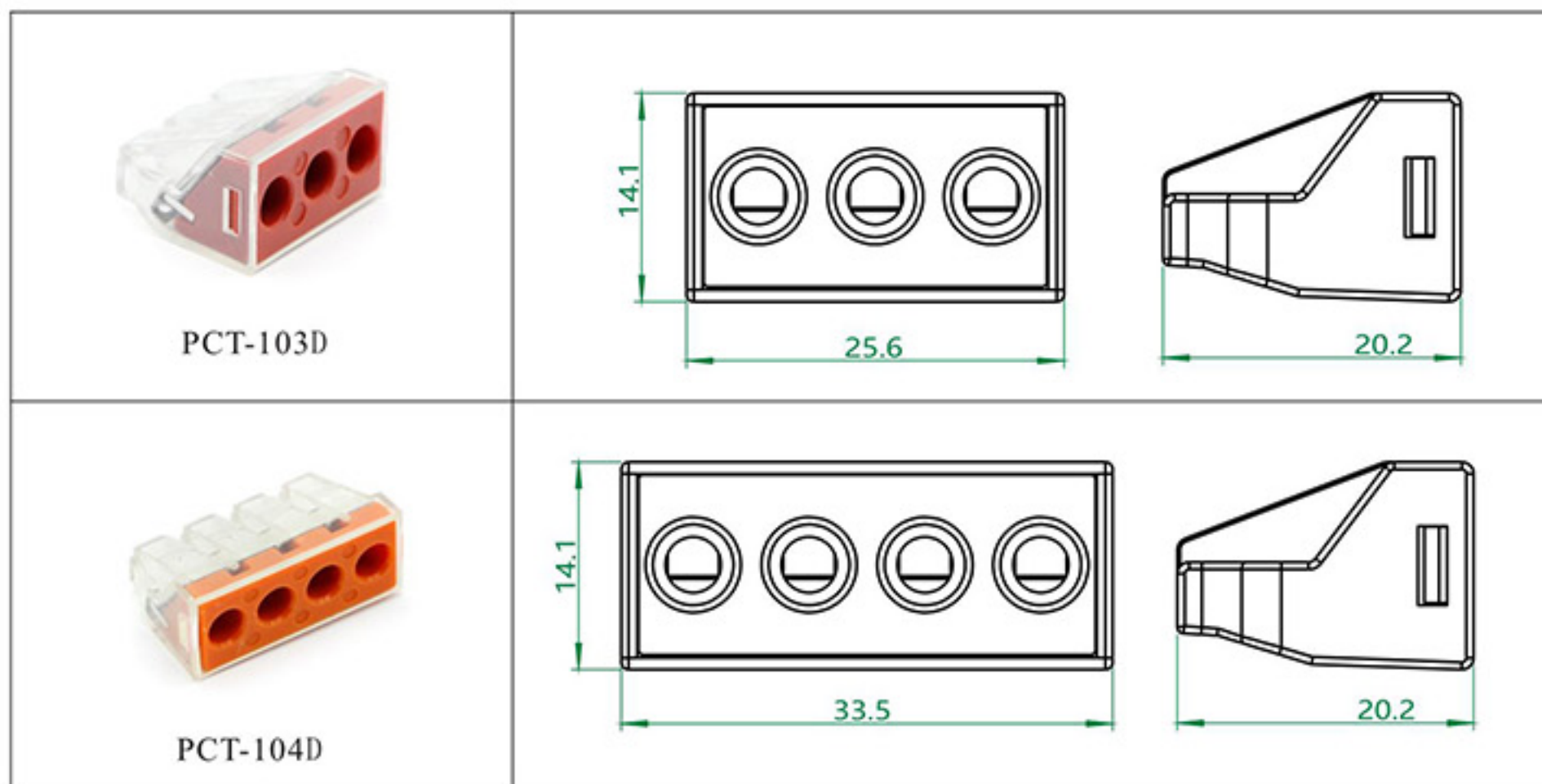


0.5~2.5mm<sup>2</sup>  
250V/4kV/24A

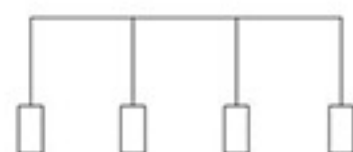
 Hard connecting wire



## PCT-10 Series





0.5~6mm<sup>2</sup>  
400V/4kV/41A



Wiring diagram diagram

## Technical parameter

Model	PCT-103D	PCT-104D		
Appearance Specification				
Reference standard	IEC	IEC		
Rated voltage	250V	400V		
Rated current	41A	41A		
Wire diameter	0.5-6mm <sup>2</sup>	0.5-6mm <sup>2</sup>		
Voltage resistance	4kV	4kV		
Mechanical properties				
Ambient temperature	-40°C~+105°C	-40°C~+105°C		
Strip length	10-12mm	10-12mm		
L/W/H	20.2×25.6×14.1	20.2×33.5×14.1		
The number of poles	3P	4P		
Lid colour				
Plastic parts	PC,UL94,V-2	PC,UL94,V-2		
Shrapnel	S301	S301		
Conductor material	T2	T2		




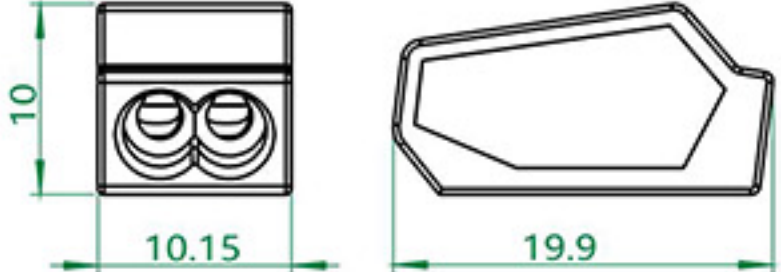

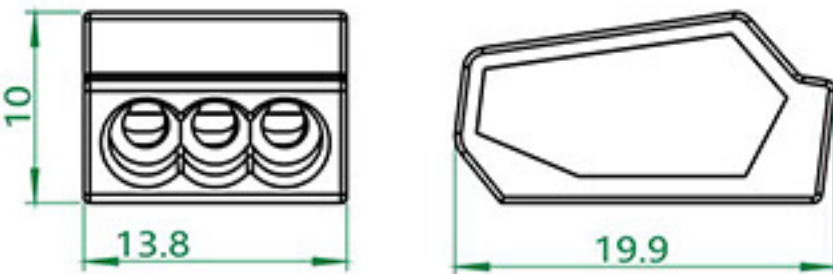

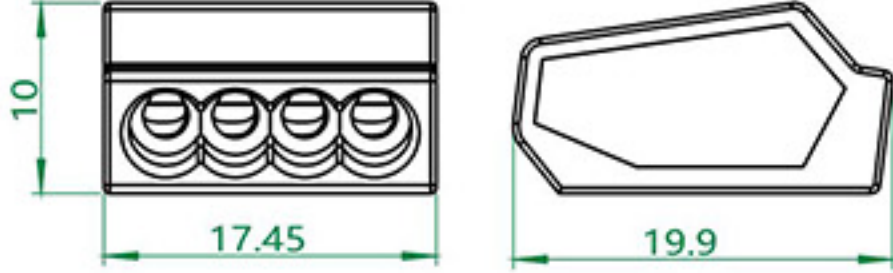

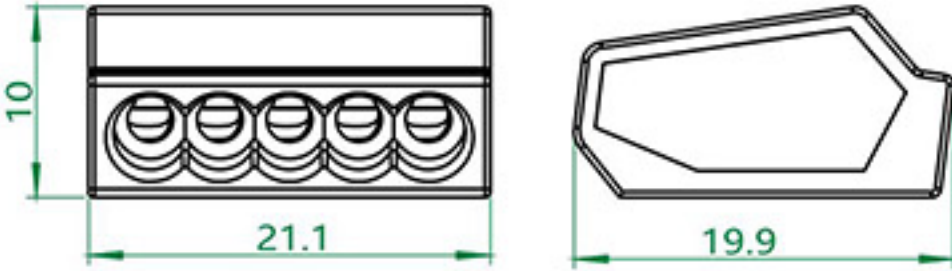
**First Step**  
strip the wire 10-12mm



**Second Step**  
Plug the wire completely into the connector.



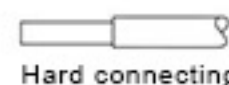
## PCT-25 Series

 <p>PCT-252</p>	
 <p>PCT-253</p>	
 <p>PCT-254</p>	
 <p>PCT-255</p>	

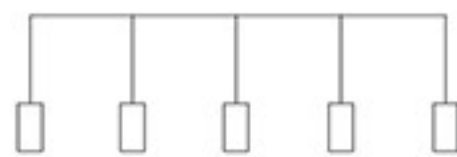
0.5~4mm<sup>2</sup>  
450V/4kV/24A



Soft connection







Hard connecting wire



Wiring diagram diagram

## Technical parameter

Model	PCT-252	PCT-253	PCT-254	PCT-255
Appearance Specification				
Reference standard	IEC	IEC	IEC	IEC
Rated voltage	450V	450V	450V	450V
Rated current	24A	24A	24A	24A
Wire diameter	0.5-4mm <sup>2</sup>	0.5-4mm <sup>2</sup>	0.5-4mm <sup>2</sup>	0.5-4mm <sup>2</sup>
Voltage resistance	4kV	4kV	4kV	4kV
Mechanical properties				
Ambient temperature	-40°C~+105°C	-40°C~+105°C	-40°C~+105°C	-40°C~+105°C
Strip length	10-12mm	10-12mm	10-12mm	10-12mm
L/W/H	19.9×10.15×10	19.9×13.8×10	19.9×17.45×10	19.9×21.1×10
The number of poles	2P	3P	4P	5P
Lid colour				
Plastic parts	PC,UL94,V-2	PC,UL94,V-2	PC,UL94,V-2	PC,UL94,V-2
Shrapnel	S301	S301	S301	S301
Conductor material	T2	T2	T2	T2


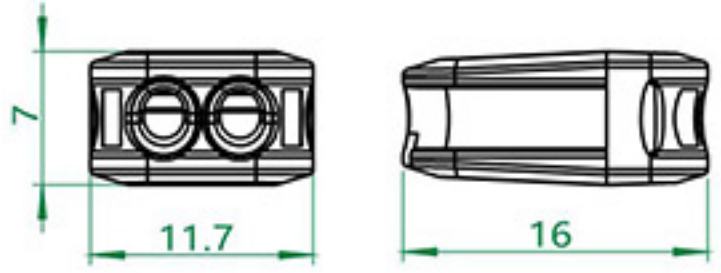

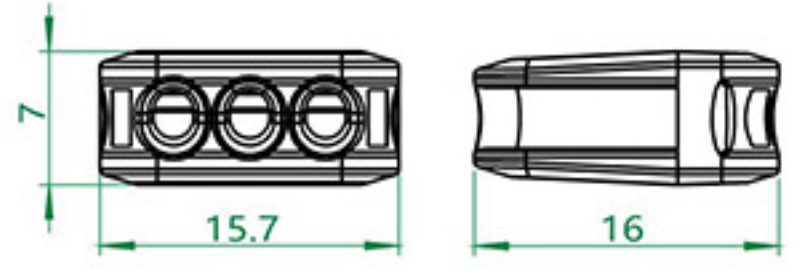

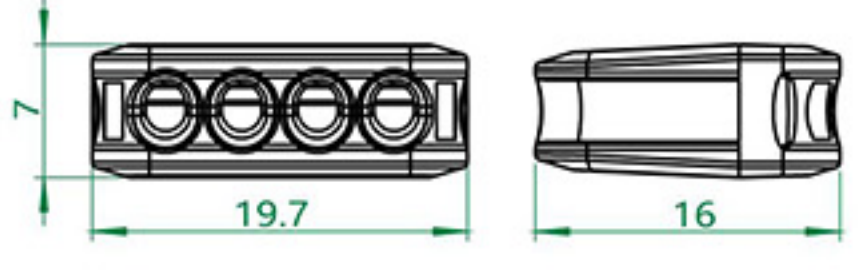

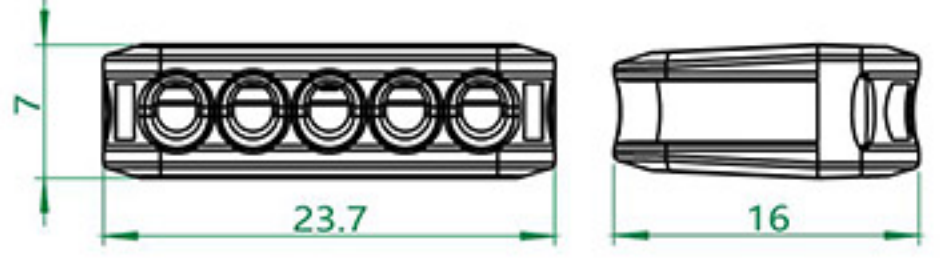


**First Step**  
strip the wire 10-12mm



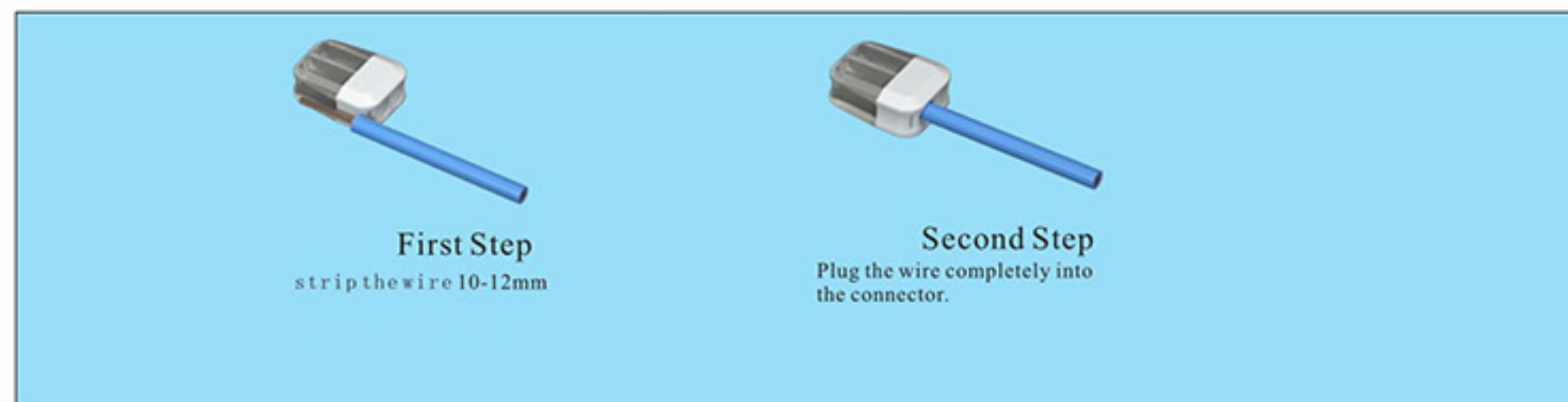
**Second Step**  
Plug the wire completely into the connector.

## LT-20 Series

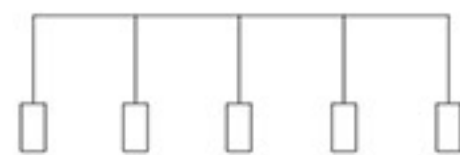
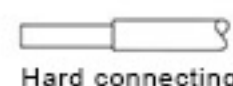
 <p>LT-202</p>	
 <p>LT-203</p>	
 <p>LT-204</p>	
 <p>LT-205</p>	

## Technical parameter

Model	LT-202	LT-203	LT-204	LT-205
Appearance Specification				
Reference standard	IEC	IEC	IEC	IEC
Rated voltage	250V	250V	250V	250V
Rated current	24A	24A	24A	24A
Wire diameter	0.5-2.5mm <sup>2</sup>	0.5-2.5mm <sup>2</sup>	0.5-2.5mm <sup>2</sup>	0.5-2.5mm <sup>2</sup>
Voltage resistance	4kV	4kV	4kV	4kV
Mechanical properties				
Ambient temperature	-40°C~+105°C	-40°C~+105°C	-40°C~+105°C	-40°C~+105°C
Strip length	10-12mm	10-12mm	10-12mm	10-12mm
L/W/H	16×11.7×7	16×15.7×7	16×19.7×7	16×23.7×7
The number of poles	2P	3P	4P	5P
Lid colour	○	●	●	●
Plastic parts	PC,UL94,V-2	PC,UL94,V-2	PC,UL94,V-2	PC,UL94,V-2
Shrapnel	S301	S301	S301	S301
Conductor material	T2	T2	T2	T2




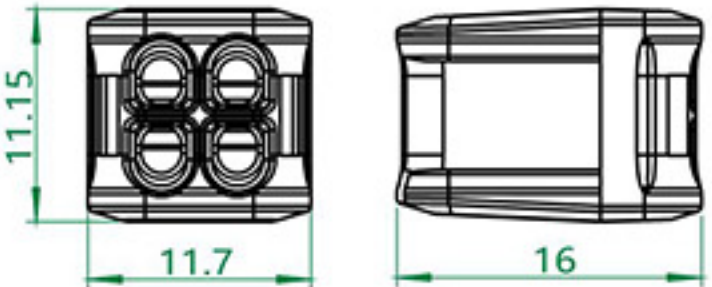

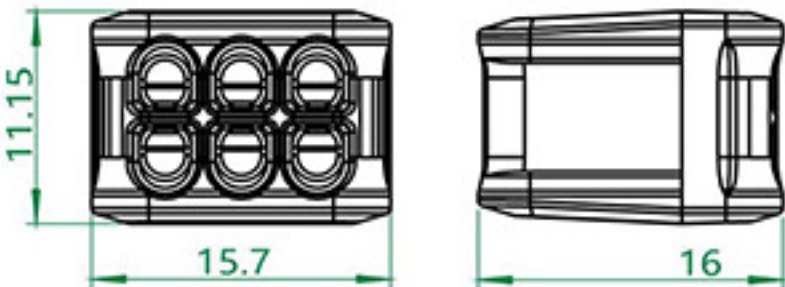

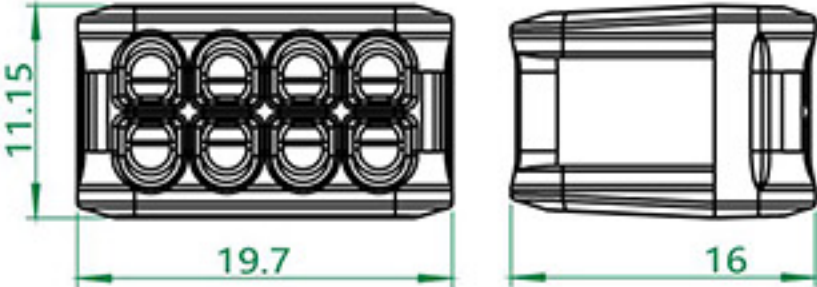
0.5~2.5mm<sup>2</sup>  
250V/4kV/24A



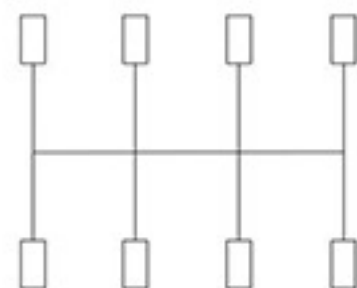
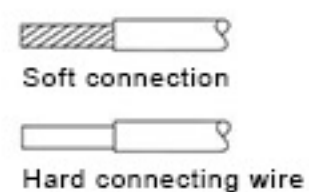
Wiring diagram diagram



## LT-20 Series




 <p>LT-224</p>	
 <p>LT-206</p>	
 <p>LT-208</p>	

0.5~2.5mm<sup>2</sup>  
250V/4kV/24A



Wiring diagram diagram

## Technical parameter

Model	LT-224	LT-206	LT-208	
Appearance Specification				
Reference standard	IEC	IEC	IEC	
Rated voltage	250V	250V	250V	
Rated current	24A	24A	24A	
Wire diameter	0.5-2.5mm <sup>2</sup>	0.5-2.5mm <sup>2</sup>	0.5-2.5mm <sup>2</sup>	
Voltage resistance	4kV	4kV	4kV	
Mechanical properties				
Ambient temperature	-40°C~+105°C	-40°C~+105°C	-40°C~+105°C	
Strip length	10-12mm	10-12mm	10-12mm	
L/W/H	16×11.7×11.15	16×15.7×11.15	16×19.7×11.15	
The number of poles	4P	6P	8P	
Lid colour				
Plastic parts	PC,UL94,V-2	PC,UL94,V-2	PC,UL94,V-2	
Shrapnel	S301	S301	S301	
Conductor material	T2	T2	T2	



First Step


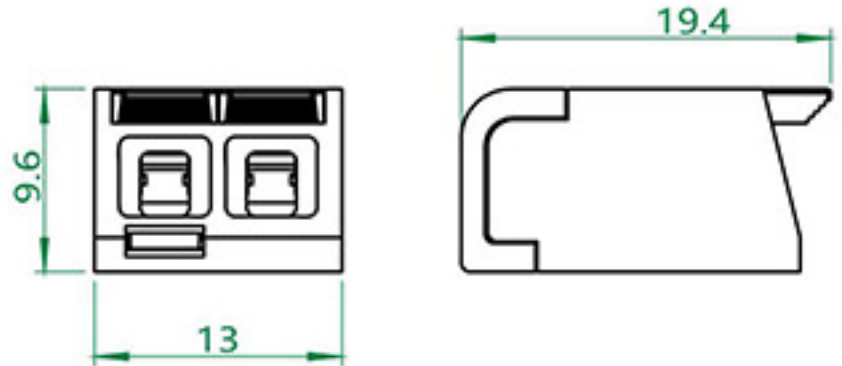

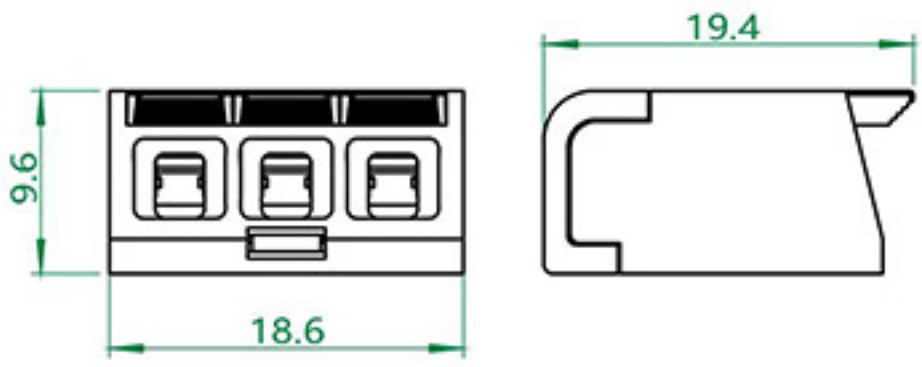

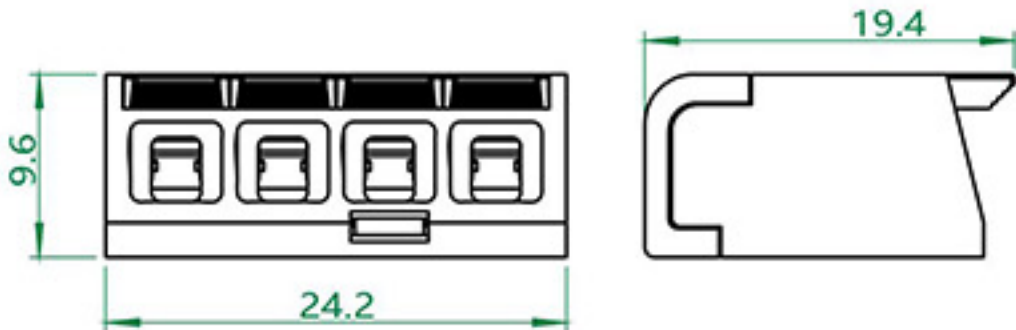

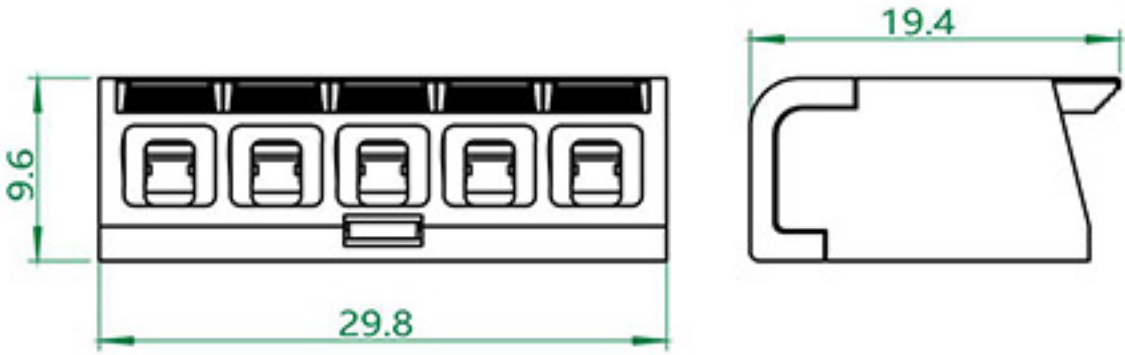
strip the wire 10-12mm



Second Step

Plug the wire completely into the connector.

## PCT-4Series

 <p>PCT-412</p>	
 <p>PCT-413</p>	
 <p>PCT-414</p>	
 <p>PCT-415</p>	

0.4~2.5mm<sup>2</sup>

0.5~4mm<sup>2</sup>

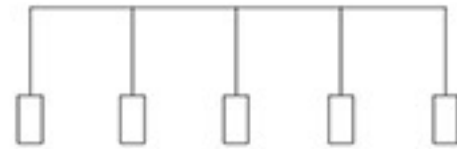
450V/4kV/32A



Soft connection



Hard connecting wire



Wiring diagram diagram

## Technical parameter

Model	PCT-412	PCT-413	PCT-414	PCT-415
Appearance Specification				
Reference standard	IEC	IEC	IEC	IEC
Rated voltage	450V	450V	450V	450V
Rated current	32A	32A	32A	32A
Wire diameter	0.5-4mm <sup>2</sup>	0.5-4mm <sup>2</sup>	0.5-4mm <sup>2</sup>	0.5-4mm <sup>2</sup>
Voltage resistance	4kV	4kV	4kV	4kV
Mechanical properties				
Ambient temperature	-40°C~+105°C	-40°C~+105°C	-40°C~+105°C	-40°C~+105°C
Strip length	11-12mm	11-12mm	11-12mm	11-12mm
L/W/H	19.4×13×9.6	19.4×18.6×9.6	19.4×24.2×9.6	19.4×29.8×9.6
The number of poles	2P	3P	4P	5P
Lid colour				
Plastic parts	PC,UL94,V-2	PC,UL94,V-2	PC,UL94,V-2	PC,UL94,V-2
Shrapnel	S301	S301	S301	S301
Conductor material	T2	T2	T2	T2



First Step

strip the wire 11-12mm



Second Step

Dismantle the orange operation handle straight and plug the wire into the hole.


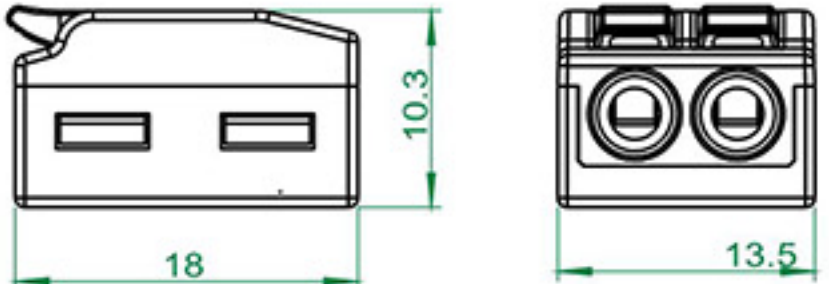

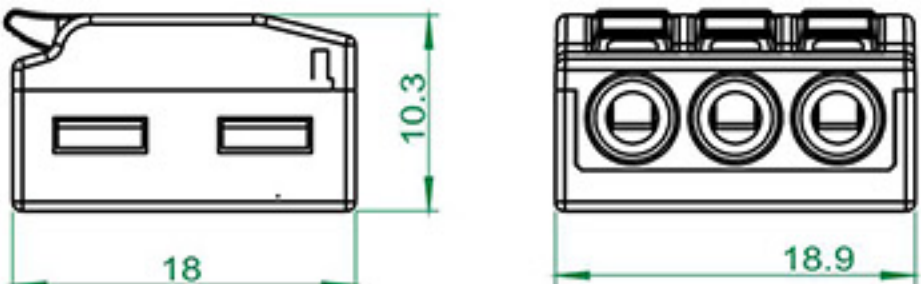

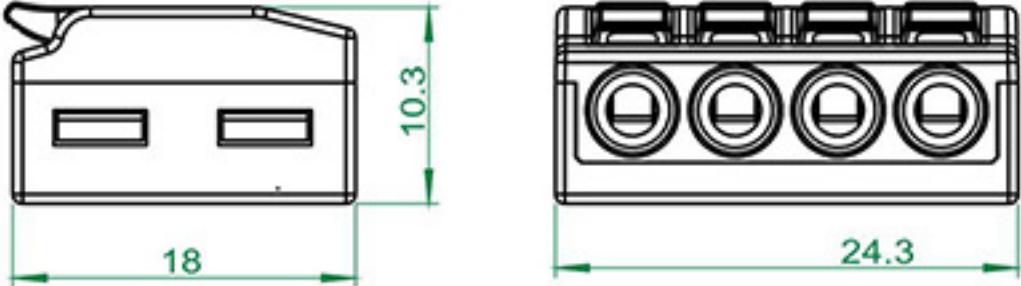

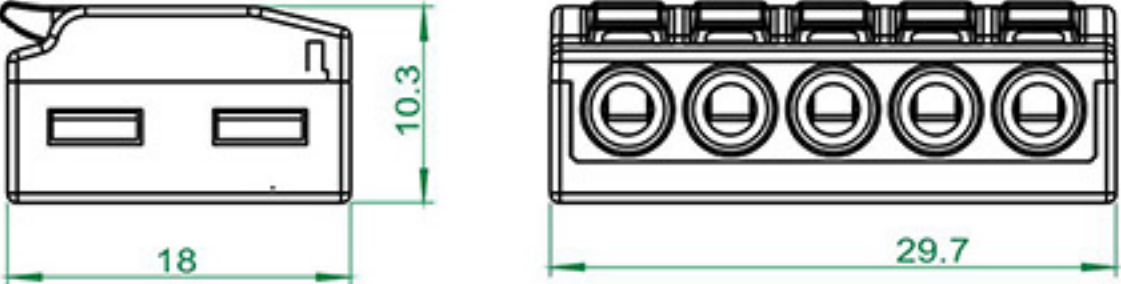


Third Step

Push the lever horizontally to clip the wire for brake



## LT-4Series

 <p>LT-412</p>	
 <p>LT-413</p>	
 <p>LT-414</p>	
 <p>LT-415</p>	

0.4~2.5mm<sup>2</sup>

0.5~4mm<sup>2</sup>

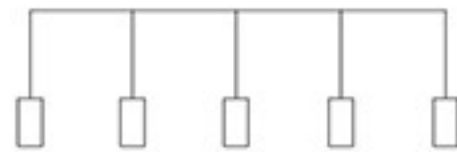
450V/4kV/32A



Soft connection






Hard connecting wire



Wiring diagram diagram

## Technical parameter

Model	LT-412	LT-413	LT-414	LT-415
Appearance Specification				
Reference standard	IEC	IEC	IEC	IEC
Rated voltage	450V	450V	450V	450V
Rated current	32A	32A	32A	32A
Wire diameter	0.5-4mm <sup>2</sup>	0.5-4mm <sup>2</sup>	0.5-4mm <sup>2</sup>	0.5-4mm <sup>2</sup>
Voltage resistance	4kV	4kV	4kV	4kV
Mechanical properties				
Ambient temperature	-40°C~+105°C	-40°C~+105°C	-40°C~+105°C	-40°C~+105°C
Strip length	11-12mm	11-12mm	11-12mm	11-12mm
L/W/H	18×13.5×10.3	18×18.9×10.3	18×24.3×10.3	18×29.7×10.3
The number of poles	2P	3P	4P	5P
Lid colour				
Plastic parts	PC,UL94,V-2	PC,UL94,V-2	PC,UL94,V-2	PC,UL94,V-2
Shrapnel	S301	S301	S301	S301
Conductor material	T2	T2	T2	T2

### First Step

strip the wire 11-12mm

### Second Step

Dismantle the orange operation handle straight and plug the wire into the hole.

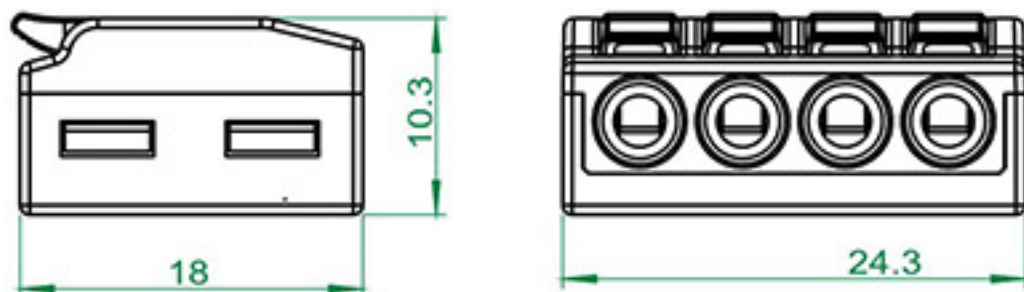
### Third Step

Push the lever horizontally to clip the wire for brake

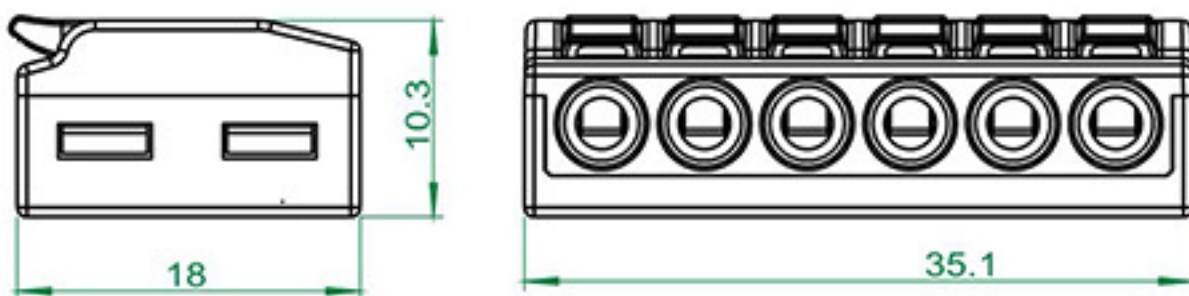
## LT-4Series





LT-414S



LT-416S



## Technical parameter

Model	LT-414S	LT-416S		
Appearance Specification				
Reference standard	IEC	IEC		
Rated voltage	450V	450V		
Rated current	32A	32A		
Wire diameter	0.5-4mm <sup>2</sup>	0.5-4mm <sup>2</sup>		
Voltage resistance	4kV	4kV		
Mechanical properties				
Ambient temperature	-40°C~+105°C	-40°C~+105°C		
Strip length	11-12mm	11-12mm		
L/W/H	18×24.3×10.3	18×35.1×10.3		
The number of poles	2P	3P		
Lid colour				
Plastic parts	PC,UL94,V-2	PC,UL94,V-2		
Shrapnel	S301	S301		
Conductor material	T2	T2		

0.4~2.5mm<sup>2</sup>

0.5~4mm<sup>2</sup>

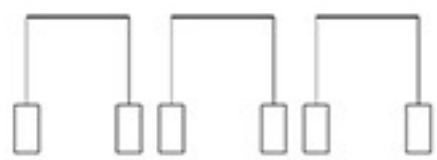
450V/4kV/32A



Soft connection



Hard connecting wire



Wiring diagram diagram

### First Step

strip the wire 11-12mm

### Second Step


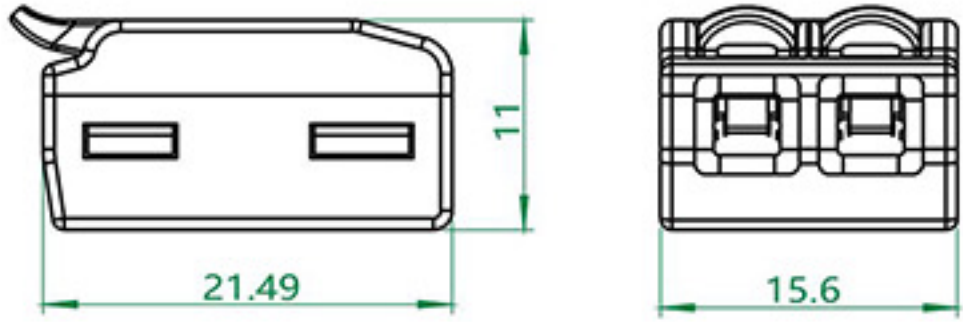

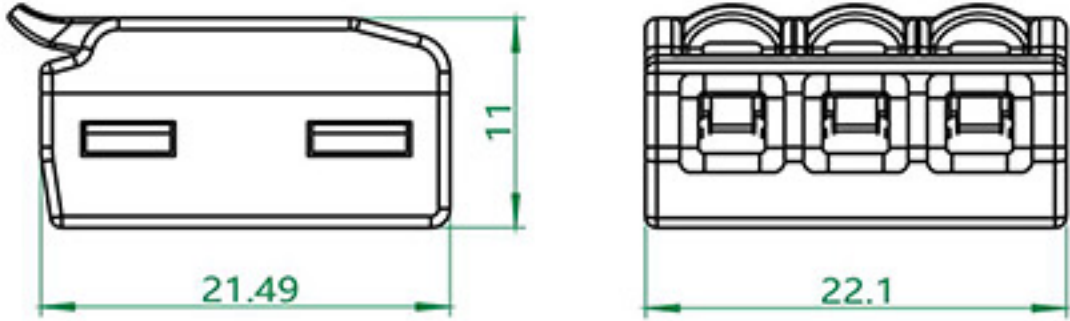

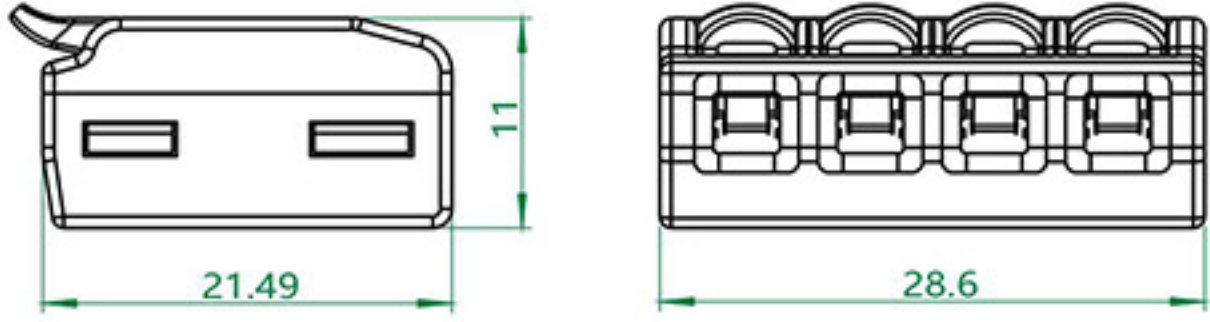

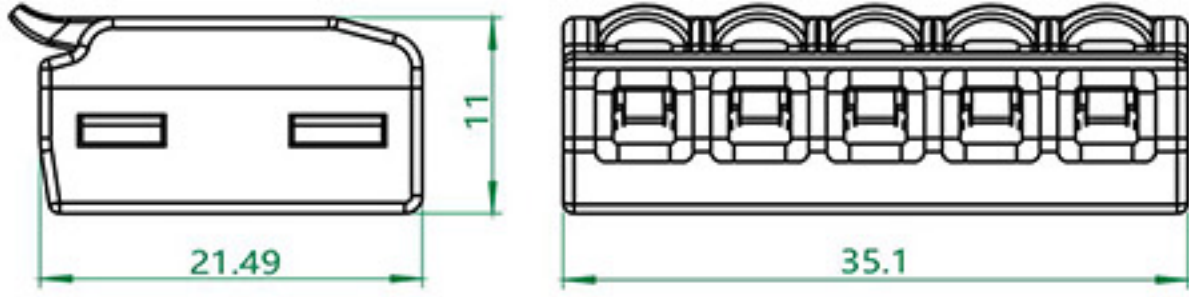
Dismantle the orange operation handle straight and plug the wire into the hole.

### Third Step





Push the lever horizontally to clip the wire for brake



# LT-61Series

 <p>LT-612</p>	
 <p>LT-613</p>	
 <p>LT-614</p>	
 <p>LT-615</p>	

## Technical parameter

Model	LT-612	LT-613	LT-614	LT-615
Appearance Specification				
Reference standard	IEC	IEC	IEC	IEC
Rated voltage	450V	450V	450V	450V
Rated current	40A	40A	40A	40A
Wire diameter	0.5-6mm <sup>2</sup>	0.5-6mm <sup>2</sup>	0.5-6mm <sup>2</sup>	0.5-6mm <sup>2</sup>
Voltage resistance	4kV	4kV	4kV	4kV
Mechanical properties				
Ambient temperature	-40°C~+105°C	-40°C~+105°C	-40°C~+105°C	-40°C~+105°C
Strip length	12-14mm	12-14mm	12-14mm	12-14mm
L/W/H	21.49×15.6×11	21.49×22.1×11	21.49×28.6×11	21.49×35.1×11
The number of poles	2P	3P	4P	5P
Lid colour				
Plastic parts	PC,UL94,V-2	PC,UL94,V-2	PC,UL94,V-2	PC,UL94,V-2
Shrapnel	S301	S301	S301	S301
Conductor material	T2	T2	T2	T2



**First Step**  
strip the wire 12-14mm



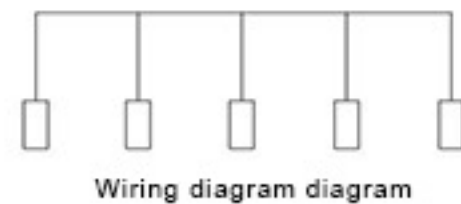
**Second Step**  
Dismantle the orange operation handle straight and plug the wire into the hole.



**Third Step**  
Push the lever horizontally to clip the wire for brake


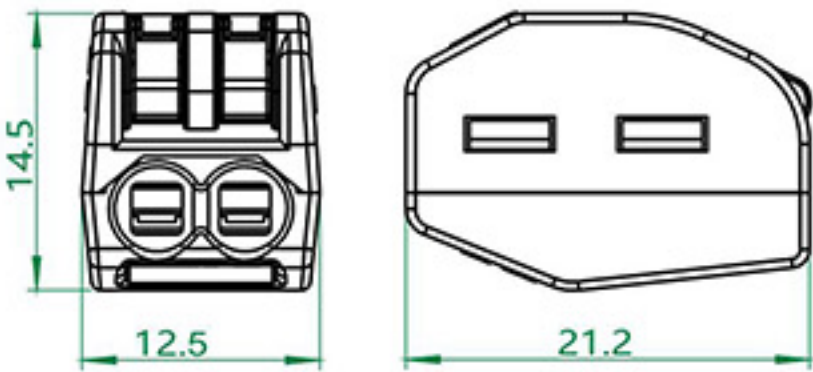

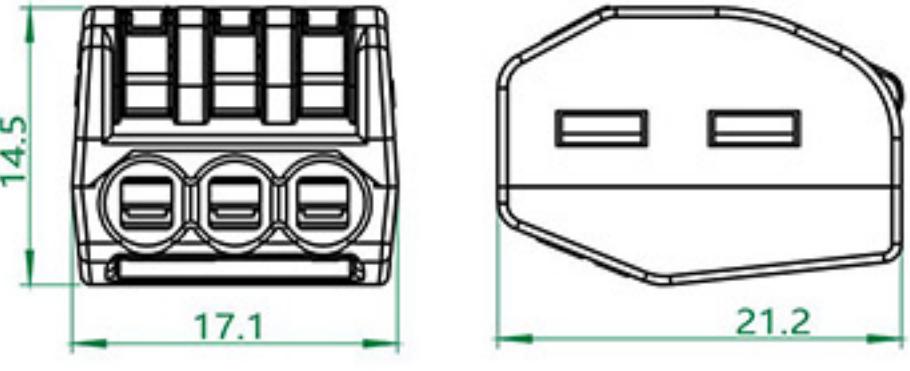

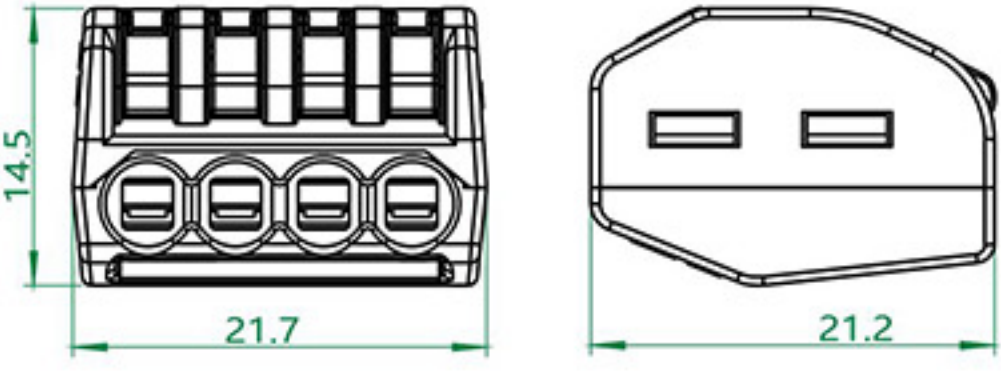

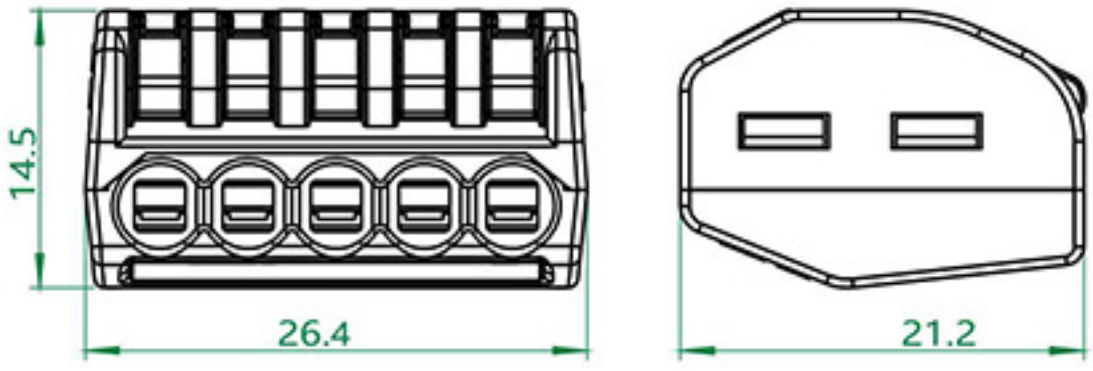
0.4~4mm<sup>2</sup>  
0.5~6mm<sup>2</sup>  
450V/4kV/40A

 Soft connection  
 Hard connecting wire





## PCT-2 Series

 <p>PCT-212</p>	
 <p>PCT-213</p>	
 <p>PCT-214</p>	
 <p>PCT-215</p>	

0.4~2.5mm<sup>2</sup>

0.5~4mm<sup>2</sup>

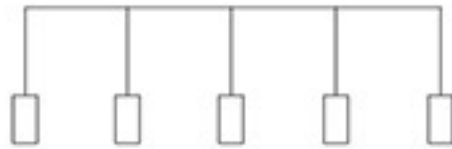
250V/4kV/32A



Soft connection







Hard connecting wire



Wiring diagram diagram

## Technical parameter

Model	PCT-212	PCT-213	PCT-214	PCT-215
Appearance Specification				
Reference standard	IEC	IEC	IEC	IEC
Rated voltage	250V	250V	250V	250V
Rated current	32A	32A	32A	32A
Wire diameter	0.5-4mm <sup>2</sup>	0.5-4mm <sup>2</sup>	0.5-4mm <sup>2</sup>	0.5-4mm <sup>2</sup>
Voltage resistance	4kV	4kV	4kV	4kV
Mechanical properties				
Ambient temperature	-40°C~+105°C	-40°C~+105°C	-40°C~+105°C	-40°C~+105°C
Strip length	11-12mm	11-12mm	11-12mm	11-12mm
L/W/H	21.2×12.5×14.5	21.2×17.1×14.5	21.2×21.7×14.5	21.2×26.4×14.5
The number of poles	2P	3P	4P	5P
Lid colour				
Plastic parts	PA6	PA6	PA6	PA6
Shrapnel	S301	S301	S301	S301
Conductor material	T2	T2	T2	T2



First Step

strip the wire 11-12mm



Second Step

Dismantle the orange operation handle straight and plug the wire into the hole.

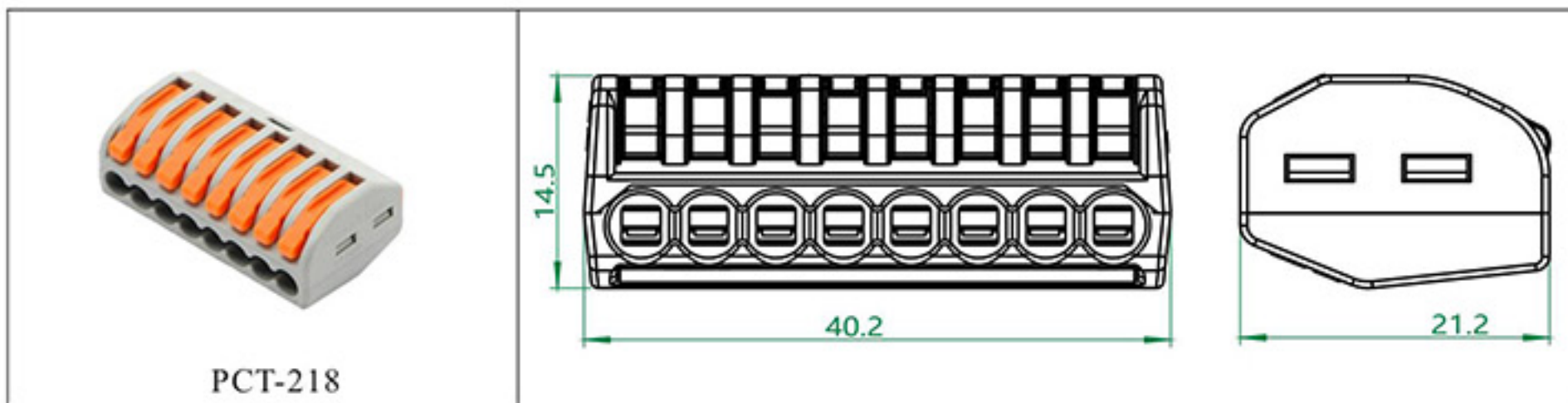


Third Step

Push the lever horizontally to clip the wire for brake



## PCT series



0. 4~2.5mm<sup>2</sup>

0. 5~4mm<sup>2</sup>

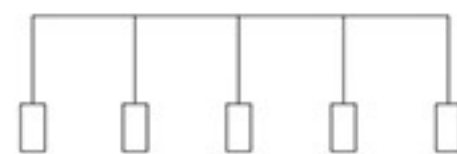
250V/4kV/32A



Soft connection



Hard connecting wire



## Technical parameter

Model	PCT-218			
Appearance Specification				
Reference standard	IEC			
Rated voltage	250V			
Rated current	32A			
Wire diameter	0. 5-4mm <sup>2</sup>			
Voltage resistance	4kV			
Mechanical properties				
Ambient temperature	-40°C~+105°C			
Strip length	11-12mm			
L/W/H	21.2×40.2×14.5			
The number of poles	8P			
Lid colour				
Plastic parts	PA6			
Shrapnel	S301			
Conductor material	T2			



First Step

strip the wire 11-12mm



Second Step


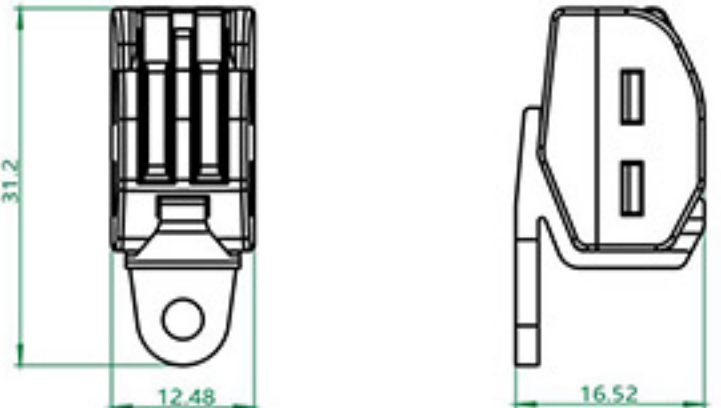

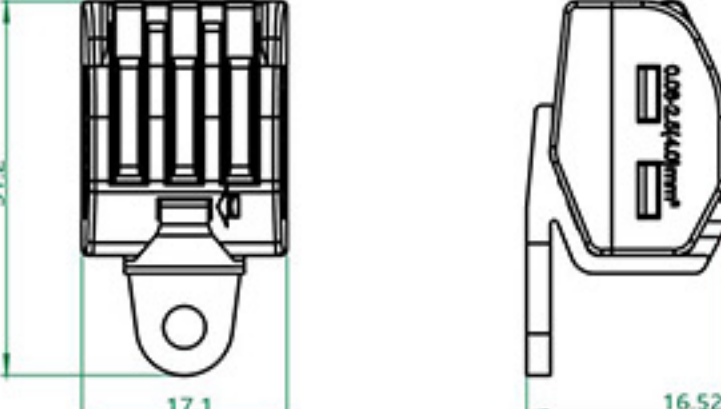

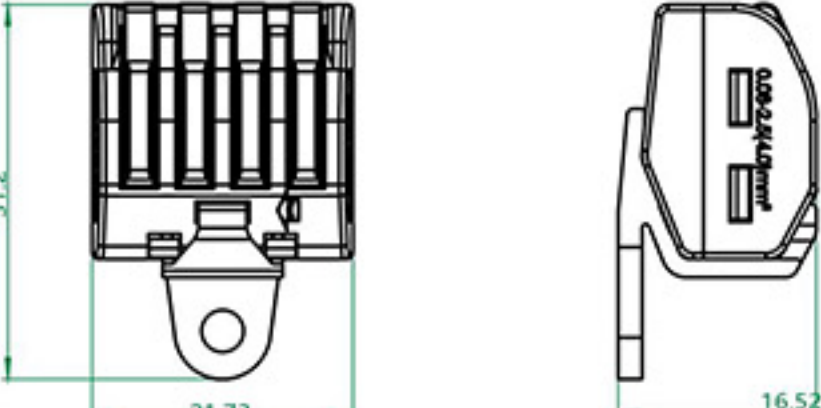

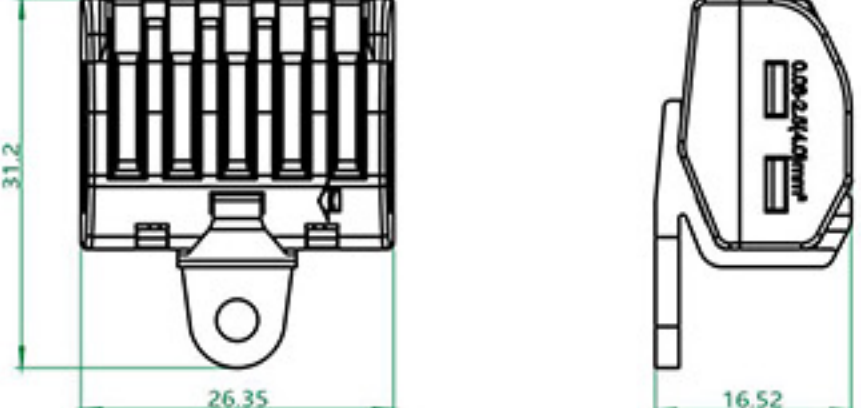
Dismantle the orange operation handle straight and plug the wire into the hole.



Third Step

Push the lever horizontally to clip the wire for brake

## PCT-2 series with installation buckle

 <p>PCT-212</p>	
 <p>PCT-213</p>	
 <p>PCT-214</p>	
 <p>PCT-215</p>	

0.4~2.5mm<sup>2</sup>

0.5~4mm<sup>2</sup>

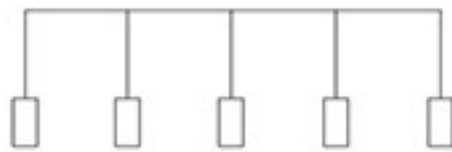
250V/4kV/32A






Soft connection



Hard connecting wire



## Technical parameter

Model	PCT-212	PCT-213	PCT-214	PCT-215
Appearance Specification				
Reference standard	IEC	IEC	IEC	IEC
Rated voltage	250V	250V	250V	250V
Rated current	32A	32A	32A	32A
Wire diameter	0.5-4mm <sup>2</sup>	0.5-4mm <sup>2</sup>	0.5-4mm <sup>2</sup>	0.5-4mm <sup>2</sup>
Voltage resistance	4kV	4kV	4kV	4kV
Mechanical properties				
Ambient temperature	-40°C~+105°C	-40°C~+105°C	-40°C~+105°C	-40°C~+105°C
Strip length	11-12mm	11-12mm	11-12mm	11-12mm
L/W/H	31.2×12.5×16.5	31.2×17.1×16.5	31.2×21.7×16.5	31.2×26.4×16.5
The number of poles	2P	3P	4P	5P
Lid colour				
Plastic parts	PA6	PA6	PA6	PA6
Shrapnel	S301	S301	S301	S301
Conductor material	T2	T2	T2	T2



First Step

strip the wire 11-12mm



Second Step

Dismantle the orange operation handle straight and plug the wire into the hole.

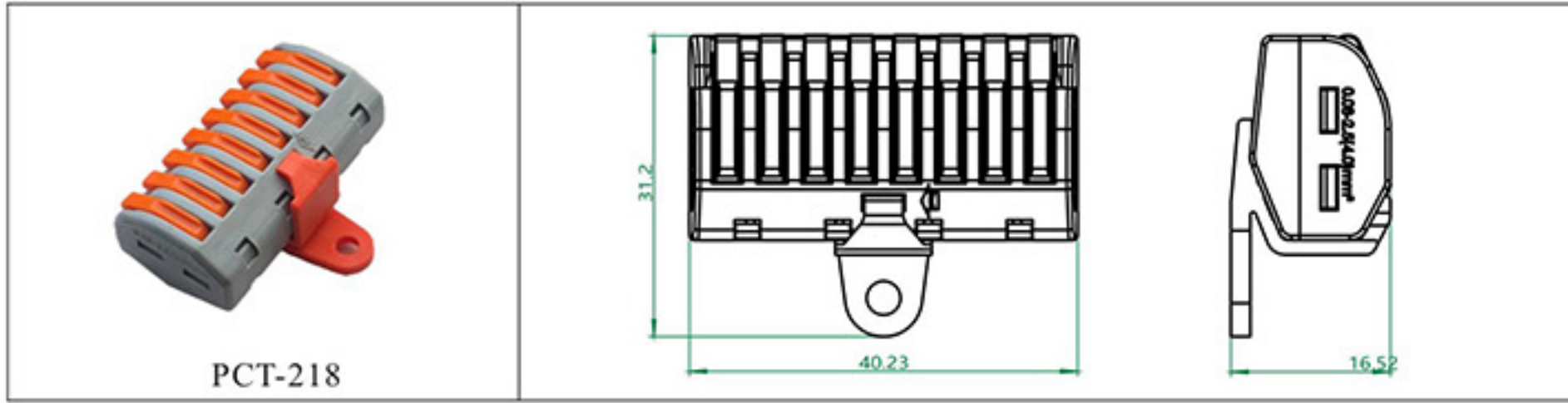


Third Step

Push the lever horizontally to clip the wire for brake



## PCT series with installation buckle



PCT-218

0. 4~2.5mm<sup>2</sup>

0. 5~4mm<sup>2</sup>

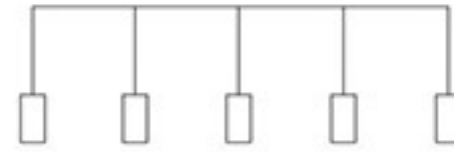
250V/4kV/32A



Soft connection



Hard connecting wire



## Technical parameter

Model	PCT-218			
Appearance Specification				
Reference standard	IEC			
Rated voltage	250V			
Rated current	32A			
Wire diameter	0. 5-4mm <sup>2</sup>			
Voltage resistance	4kV			
Mechanical properties				
Ambient temperature	-40°C~+105°C			
Strip length	11-12mm			
L/W/H	31.2×40.2×16.5			
The number of poles	8P			
Lid colour				
Plastic parts	PA6			
Shrapnel	S301			
Conductor material	T2			



First Step

strip the wire 11-12mm



Second Step


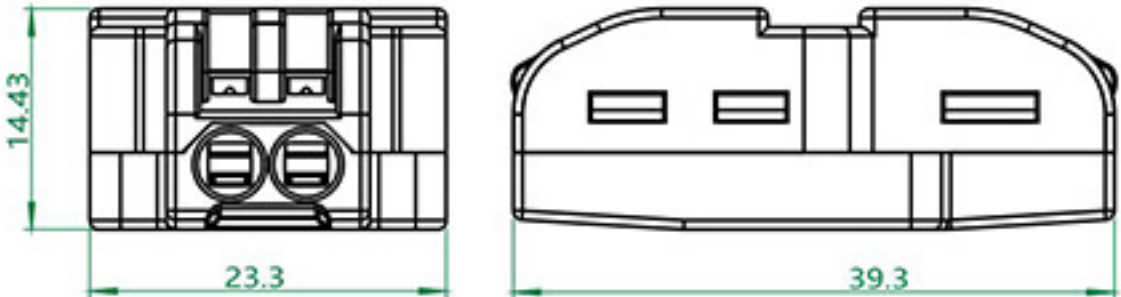

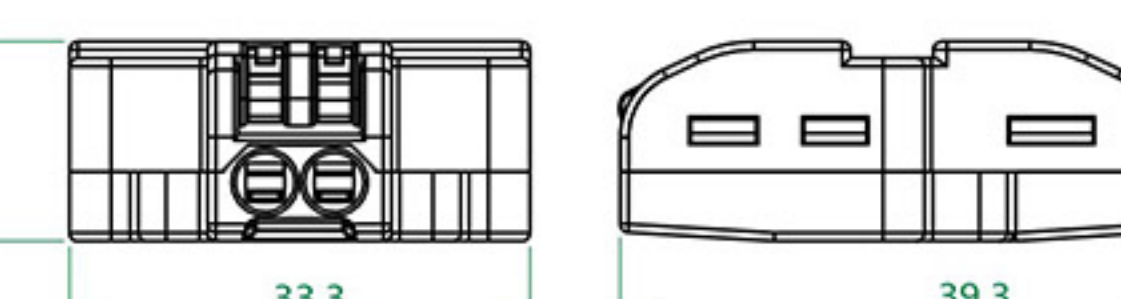

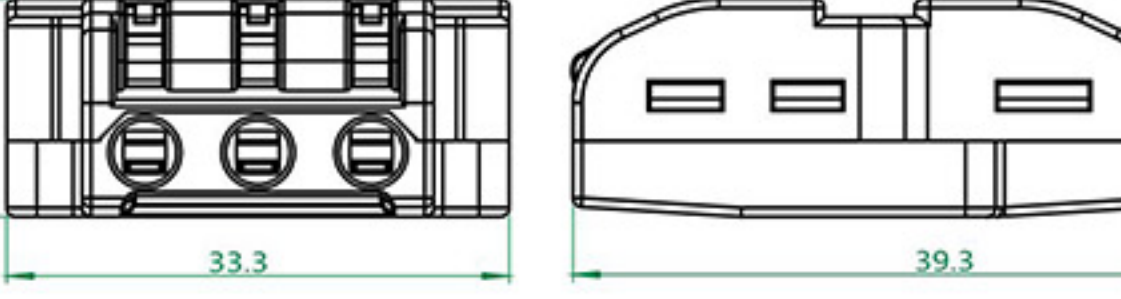

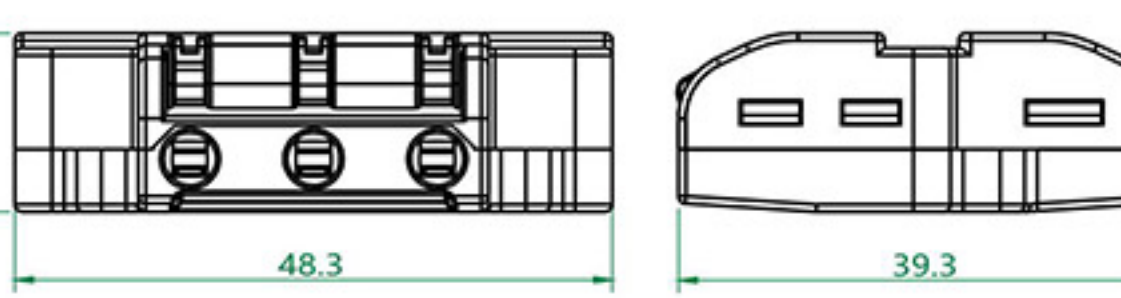
Dismantle the orange operation handle straight and plug the wire into the hole.







Third Step


Push the lever horizontally to clip the wire for brake


## LT docking series


 LT-422	
 LT-623	
 LT-633	
 LT-933	

## Technical parameter

Model	LT-422	LT-623	LT-633	LT-933
Appearance Specification				
Reference standard	IEC	IEC	IEC	IEC
Rated voltage	250V	250V	250V	250V
Rated current	32A	32A	32A	32A
Wire diameter	0.5-4mm <sup>2</sup>	0.5-4mm <sup>2</sup>	0.5-4mm <sup>2</sup>	0.5-4mm <sup>2</sup>
Voltage resistance	4kV	4kV	4kV	4kV
Mechanical properties				
Ambient temperature	-40°C~+105°C	-40°C~+105°C	-40°C~+105°C	-40°C~+105°C
Strip length	11-12mm	11-12mm	11-12mm	11-12mm
L/W/H	39.3×23.3×14.4	39.3×33.3×14.4	39.3×33.3×14.4	39.3×48.3×14.4
The number of poles	2P	2P	3P	3P
Lid colour				
Plastic parts	PC,UL94,V-2	PC,UL94,V-2	PC,UL94,V-2	PC,UL94,V-2
Shrapnel	S301	S301	S301	S301
Conductor material	T2	T2	T2	T2

  
**First Step**  
 strip the wire 11-12mm

  
**Second Step**  
 Dismantle the orange operation handle straight and plug the wire into the hole.

  
**Third Step**  
 Push the lever horizontally to clip the wire for brake

0.4~2.5mm<sup>2</sup>

0.5~4mm<sup>2</sup>

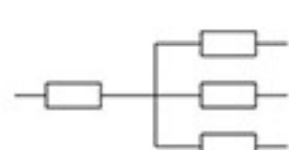
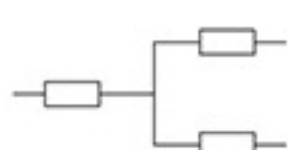
250V/4kV/32A



Soft connection


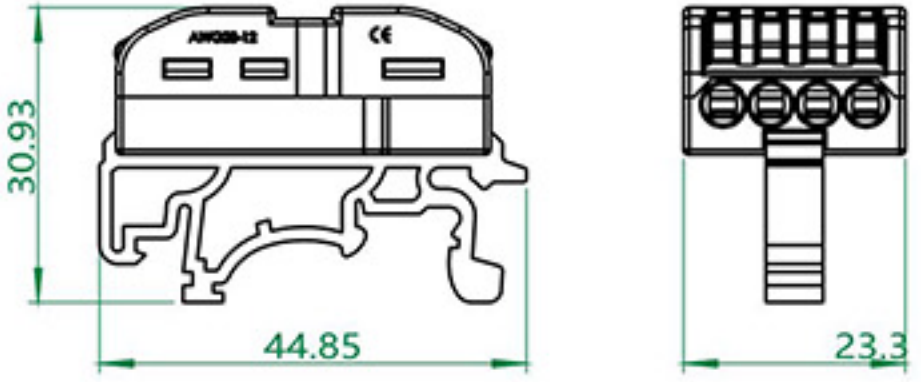

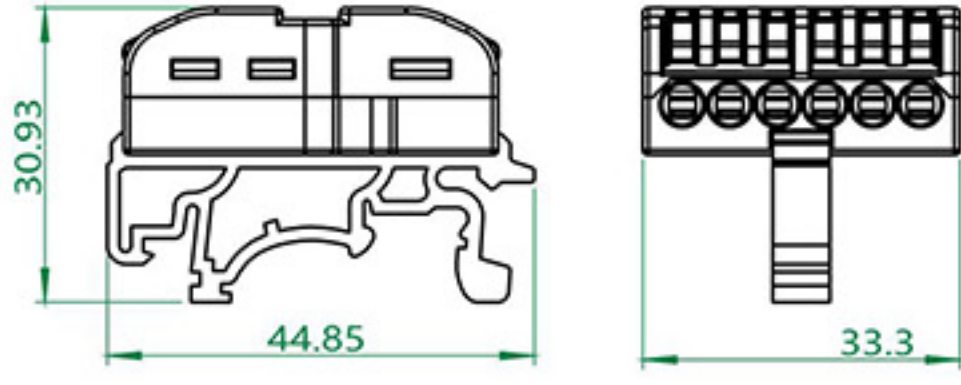

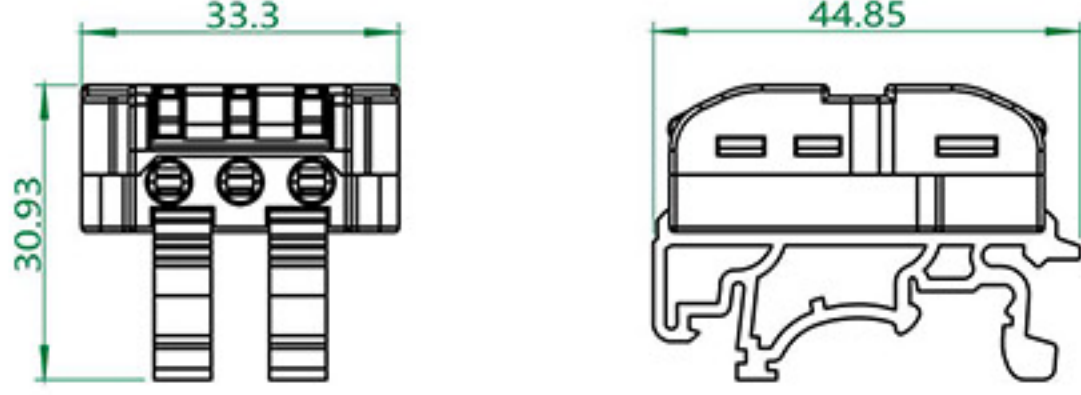

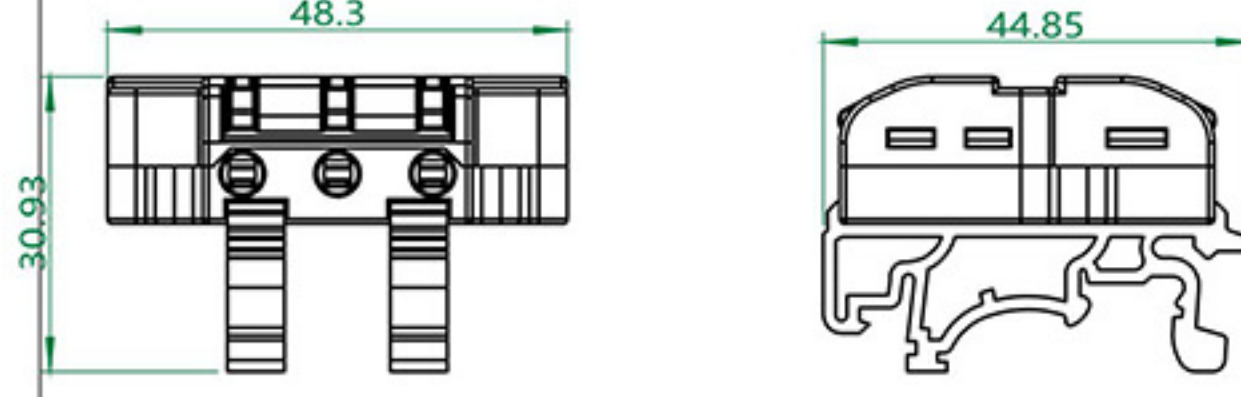


Hard connecting wire





## LT docking series

 <p>LT-422D</p>	
 <p>LT-623D</p>	
 <p>LT-633D</p>	
 <p>LT-933D</p>	

0.4~2.5mm<sup>2</sup>

0.5~4mm<sup>2</sup>

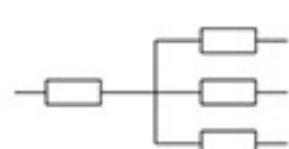
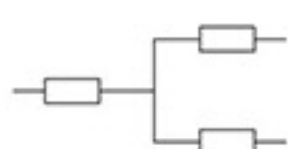
250V/4kV/32A







Soft connection



Hard connecting wire



## Technical parameter

Model	LT-422D	LT-623D	LT-633D	LT-933D
Appearance Specification				
Reference standard	IEC	IEC	IEC	IEC
Rated voltage	250V	250V	250V	250V
Rated current	32A	32A	32A	32A
Wire diameter	0.5-4mm <sup>2</sup>	0.5-4mm <sup>2</sup>	0.5-4mm <sup>2</sup>	0.5-4mm <sup>2</sup>
Voltage resistance	4kV	4kV	4kV	4kV
Mechanical properties				
Ambient temperature	-40°C~+105°C	-40°C~+105°C	-40°C~+105°C	-40°C~+105°C
Strip length	11-12mm	11-12mm	11-12mm	11-12mm
L/W/H	44.8×23.3×30.9	44.8×33.3×30.9	44.8×33.3×30.9	44.8×48.3×30.9
The number of poles	2P	2P	3P	3P
Lid colour				
Plastic parts	PC,UL94,V-2	PC,UL94,V-2	PC,UL94,V-2	PC,UL94,V-2
Shrapnel	S301	S301	S301	S301
Conductor material	T2	T2	T2	T2



First Step

strip the wire 11-12mm



Second Step

Dismantle the orange operation handle straight and plug the wire into the hole.

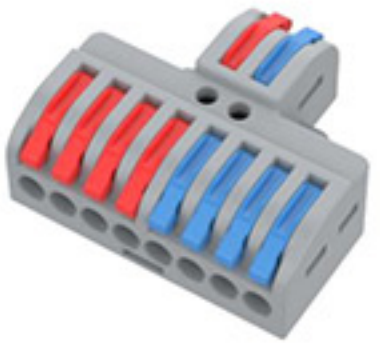
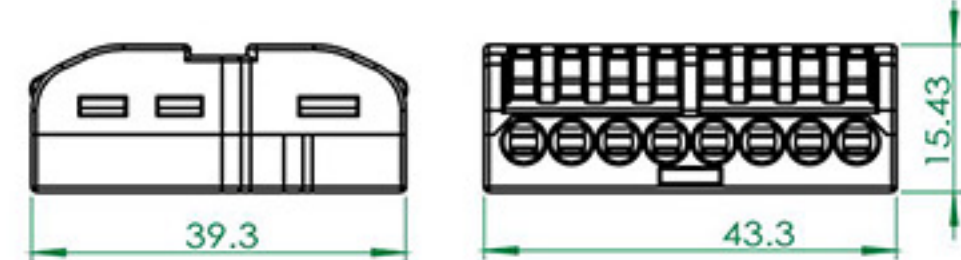

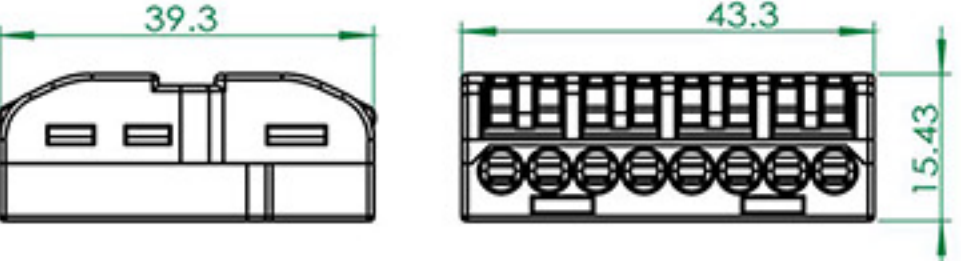

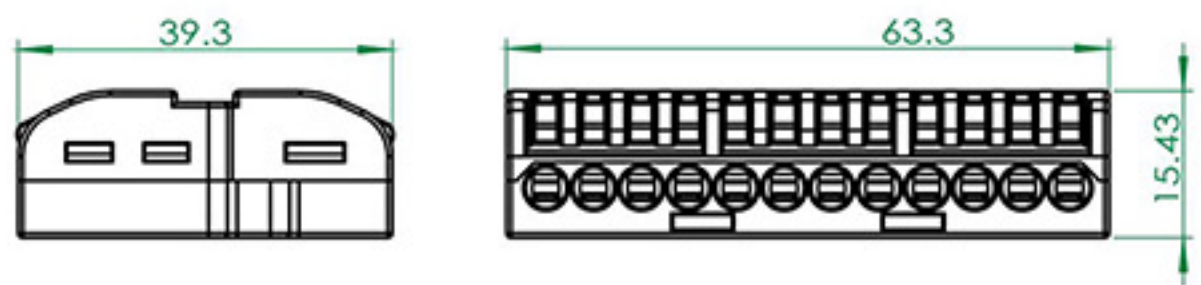


Third Step

Push the lever horizontally to clip the wire for brake



## LT docking series

 <p>LT2-8</p>	
 <p>LT4-8</p>	
 <p>LT3-12</p>	

0.4~2.5mm<sup>2</sup>

0.5~4mm<sup>2</sup>

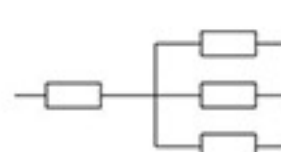
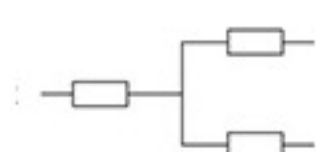
250V/4kV/32A






Soft connection



Hard connecting wire



## Technical parameter

Model	LT2-8	LT4-8	LT3-12	
Appearance Specification				
Reference standard	IEC	IEC	IEC	
Rated voltage	250V	250V	250V	
Rated current	32A	32A	32A	
Wire diameter	0.5-4mm <sup>2</sup>	0.5-4mm <sup>2</sup>	0.5-4mm <sup>2</sup>	
Voltage resistance	4kV	4kV	4kV	
Mechanical properties				
Ambient temperature	-40°C~+105°C	-40°C~+105°C	-40°C~+105°C	
Strip length	11-12mm	11-12mm	11-12mm	
L/W/H	39.3×43.3×15.4	39.3×43.3×15.4	39.3×63.3×15.4	
The number of poles	2P	4P	3P	
Lid colour				
Plastic parts	PC,UL94,V-2	PC,UL94,V-2	PC,UL94,V-2	
Shrapnel	S301	S301	S301	
Conductor material	T2	T2	T2	



First Step

strip the wire 11-12mm



Second Step

Dismantle the orange operation handle straight and plug the wire into the hole.

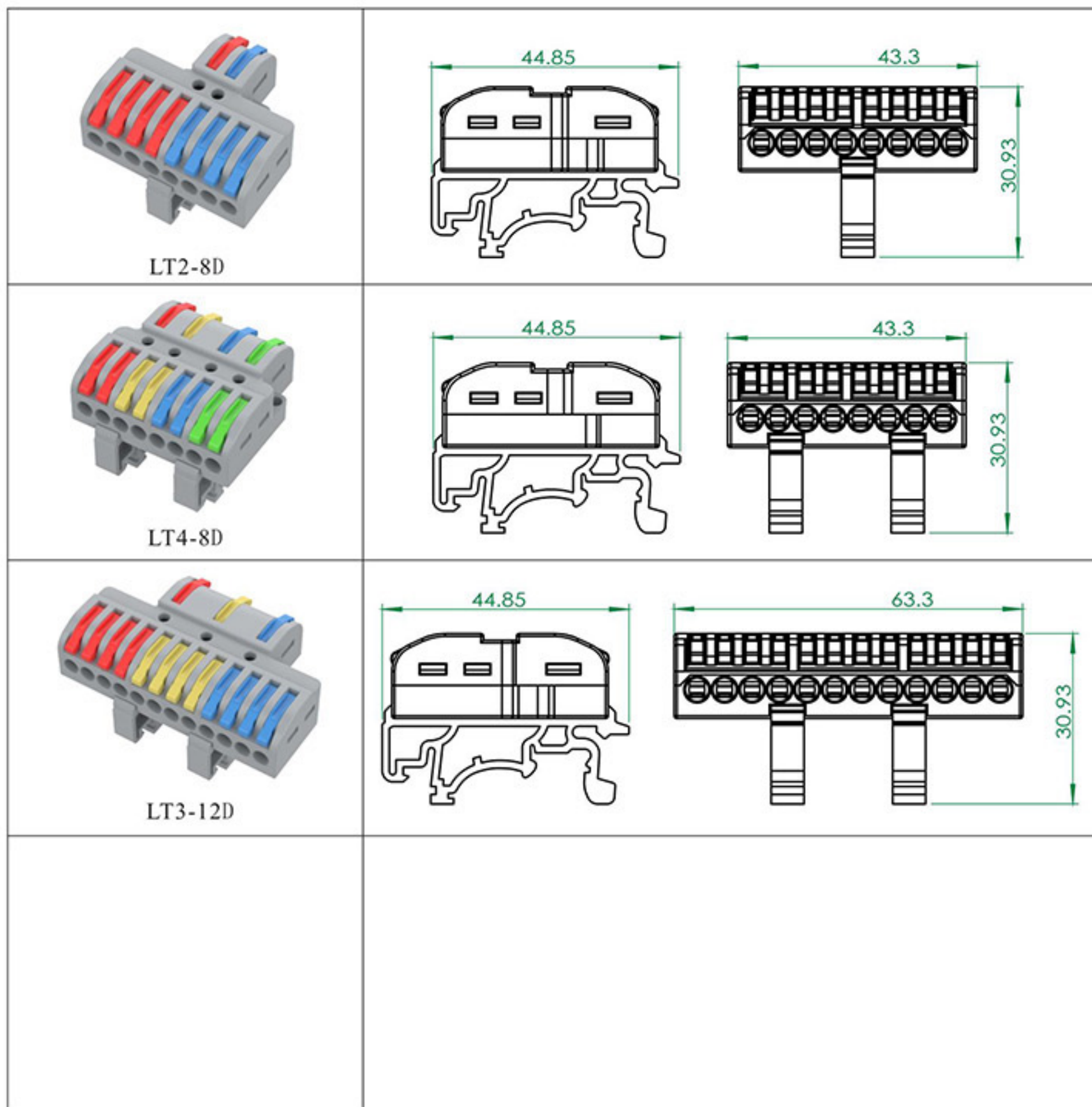


Third Step

Push the lever horizontally to clip the wire for brake

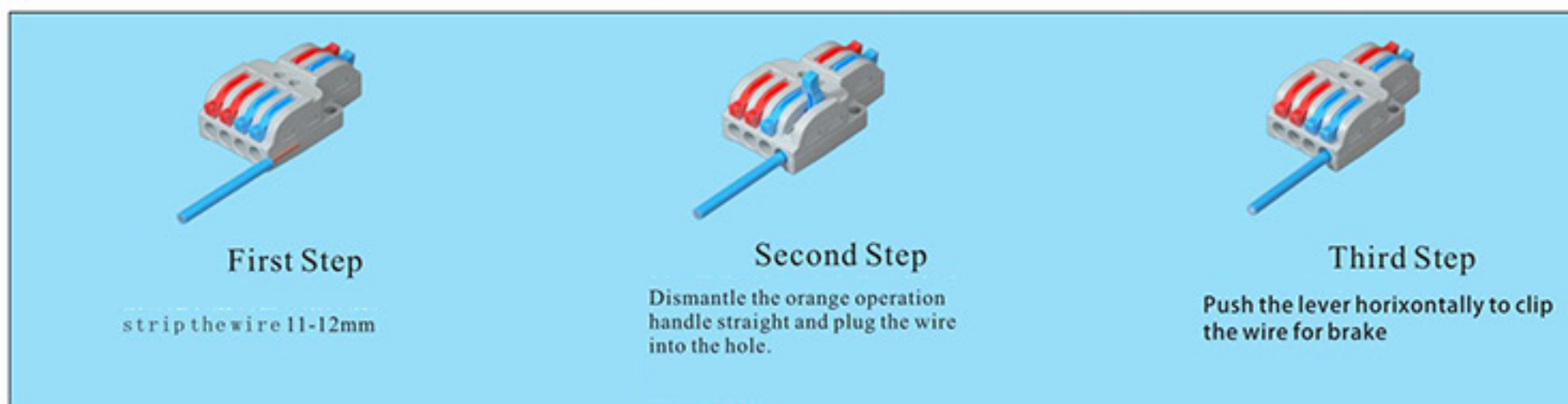


## LT docking series



## Technical parameter

Model	LT2-8D	LT4-8D	LT3-12D	
Appearance Specification				
Reference standard	IEC	IEC	IEC	
Rated voltage	250V	250V	250V	
Rated current	32A	32A	32A	
Wire diameter	0.5-4mm <sup>2</sup>	0.5-4mm <sup>2</sup>	0.5-4mm <sup>2</sup>	
Voltage resistance	4kV	4kV	4kV	
Mechanical properties				
Ambient temperature	-40°C~+105°C	-40°C~+105°C	-40°C~+105°C	
Strip length	11-12mm	11-12mm	11-12mm	
L/W/H	44.8×43.3×30.9	44.8×43.3×30.9	44.8×63.3×30.9	
The number of poles	2P	4P	3P	
Lid colour				
Plastic parts	PC,UL94,V-2	PC,UL94,V-2	PC,UL94,V-2	
Shrapnel	S301	S301	S301	
Conductor material	T2	T2	T2	



0.4~2.5mm<sup>2</sup>

0.5~4mm<sup>2</sup>

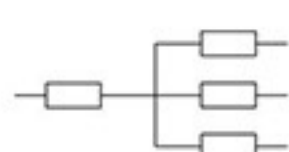
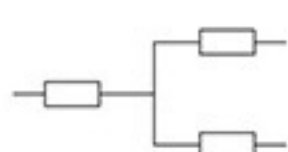
250V/4kV/32A

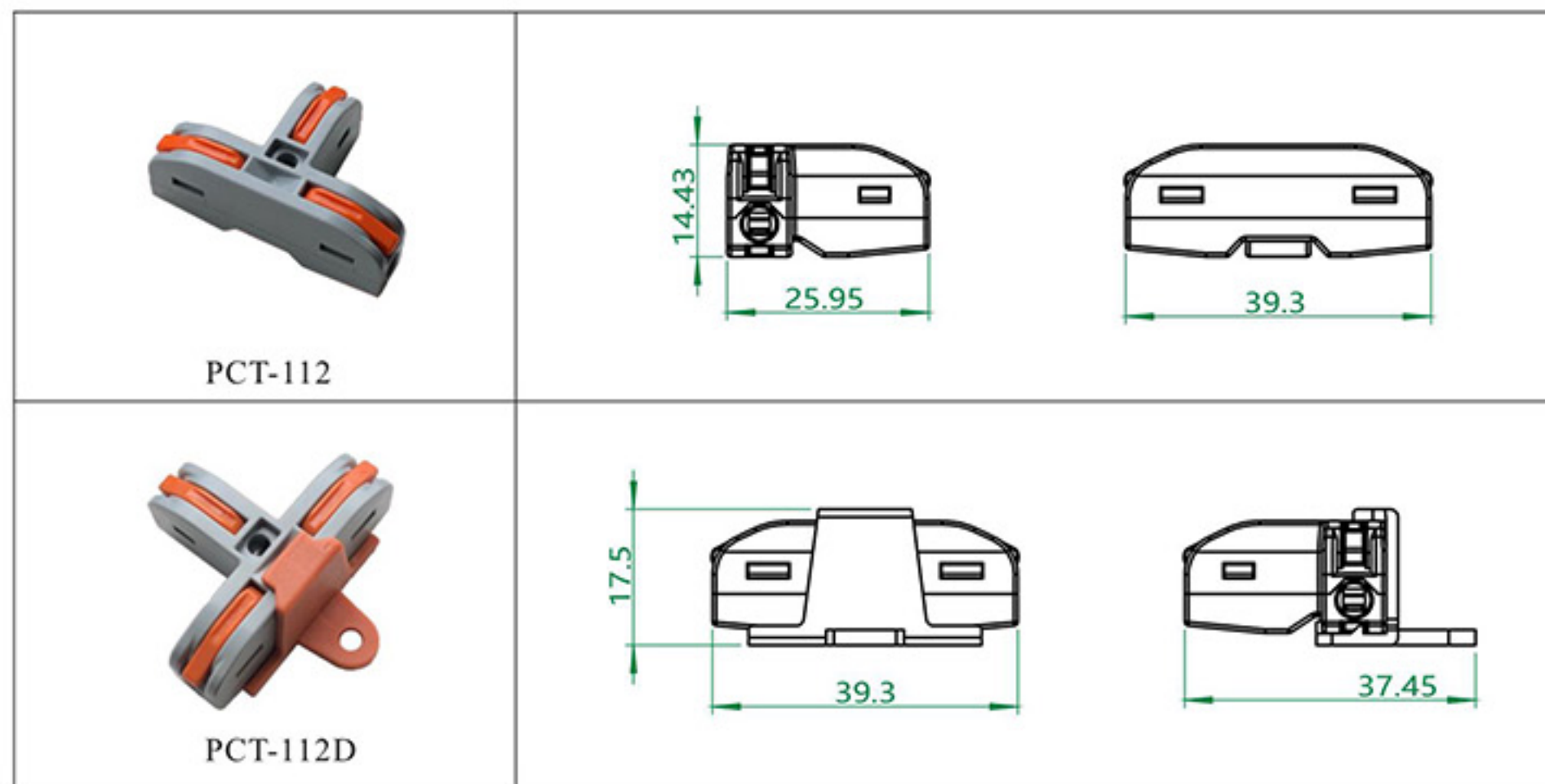


Soft connection



Hard connecting wire



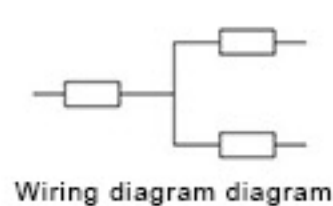
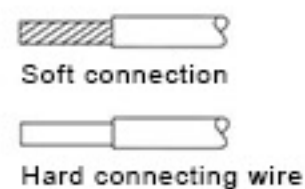


### Technical parameter

Model	PCT-112	PCT-112
Appearance Specification		
Reference standard	IEC	IEC
Rated voltage	250V	250V
Rated current	32A	32A
Wire diameter	0.5-4mm <sup>2</sup>	0.5-4mm <sup>2</sup>
Voltage resistance	4kV	4kV
Mechanical properties		
Ambient temperature	-40°C~+105°C	-40°C~+105°C
Strip length	11-12mm	11-12mm
L/W/H	39.3×25.95×14.4	39.3×37.45×17.5
The number of poles	1P	1P
Lid colour		
Plastic parts	PC,UL94,V-2	PC,UL94,V-2
Shrapnel	S301	S301
Conductor material	T2	T2


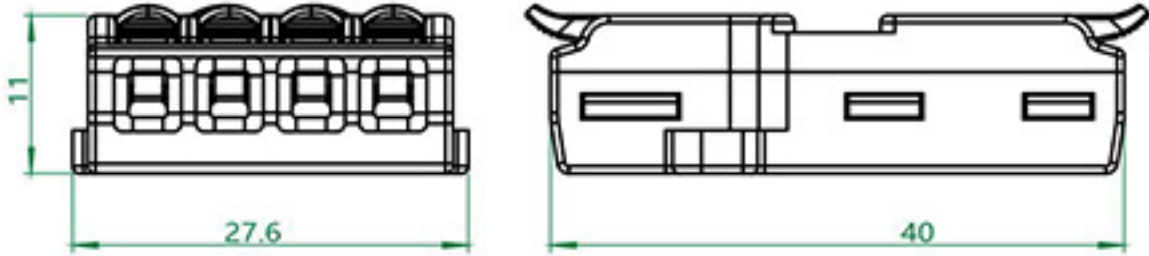

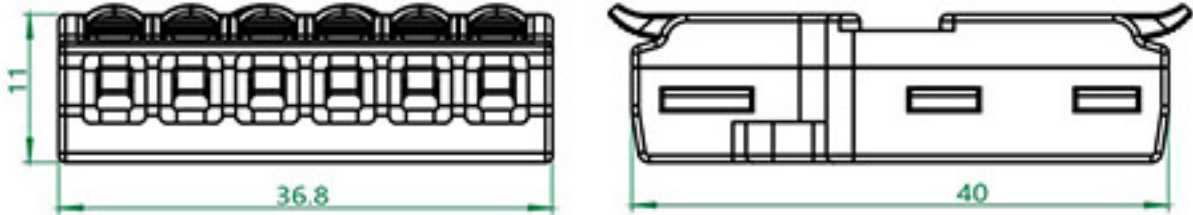

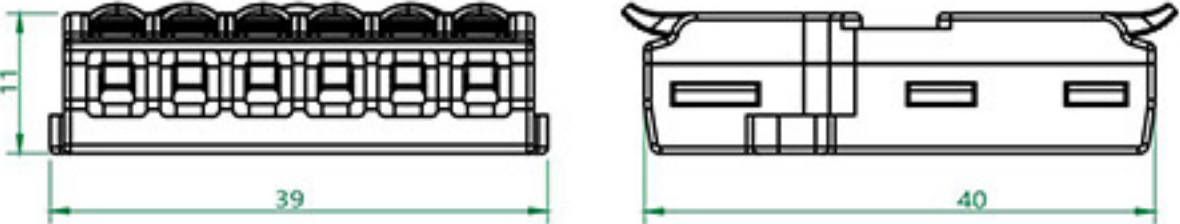

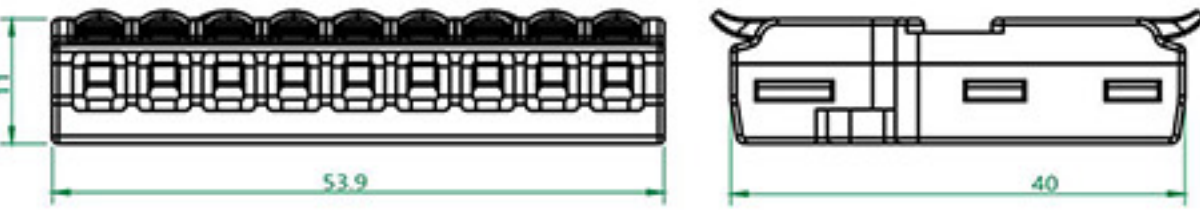


0.4~2.5mm<sup>2</sup>  
0.5~4mm<sup>2</sup>  
250V/4kV/32A





## LT-6Series

 LT-624	
 LT-626	
 LT-636	
 LT-639	

0.4~4mm<sup>2</sup>

0.5~6mm<sup>2</sup>

250V/4kV/35A



Soft connection







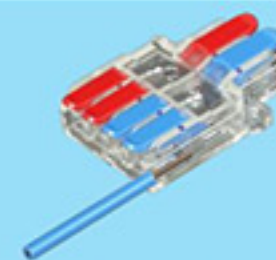
Hard connecting wire



Wiring diagram diagram

## Technical parameter

Model	LT-624	LT-626	LT-636	LT-639
Appearance Specification				
Reference standard	IEC	IEC	IEC	IEC
Rated voltage	250V	250V	250V	250V
Rated current	35A	35A	35A	35A
Wire diameter	0.5-6mm <sup>2</sup>	0.5-6mm <sup>2</sup>	0.5-6mm <sup>2</sup>	0.5-6mm <sup>2</sup>
Voltage resistance	4kV	4kV	4kV	4kV
Mechanical properties				
Ambient temperature	-40°C~+105°C	-40°C~+105°C	-40°C~+105°C	-40°C~+105°C
Strip length	12-14mm	12-14mm	12-14mm	12-14mm
L/W/H	40×27.6×11	40×36.8×11	40×39×11	40×53.9×11
The number of poles	2P	2P	3P	3P
Lid colour				
Plastic parts	PC,UL94,V-2	PC,UL94,V-2	PC,UL94,V-2	PC,UL94,V-2
Shrapnel	S301	S301	S301	S301
Conductor material	T2	T2	T2	T2



First Step

strip the wire 12-14mm



Second Step

Dismantle the orange operation handle straight and plug the wire into the hole.


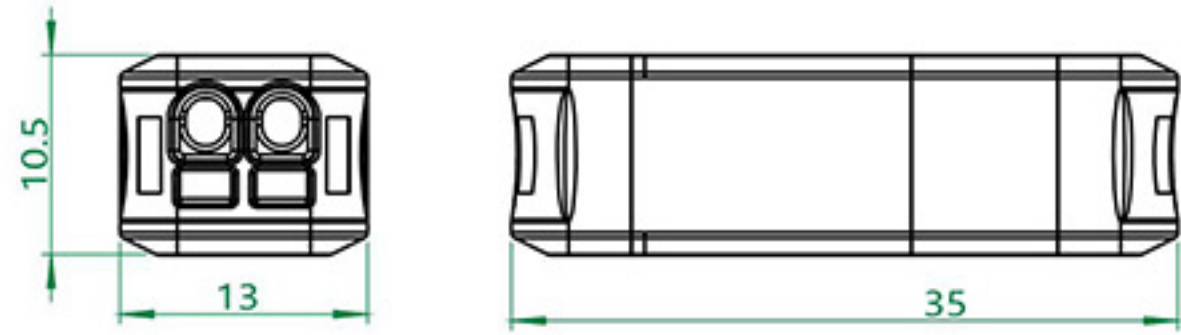

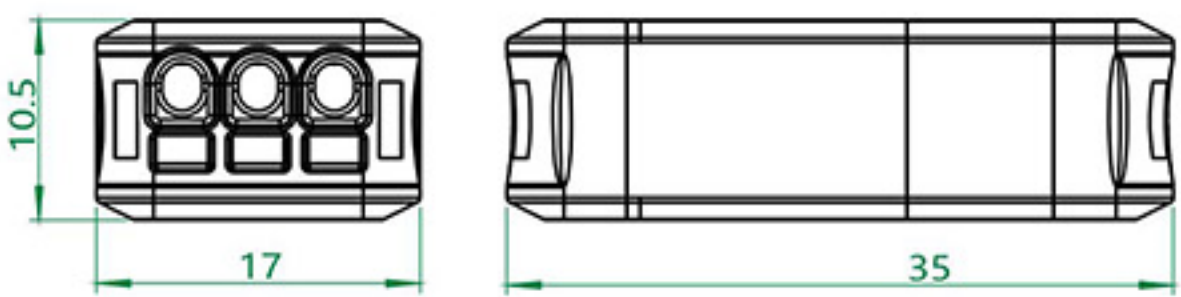

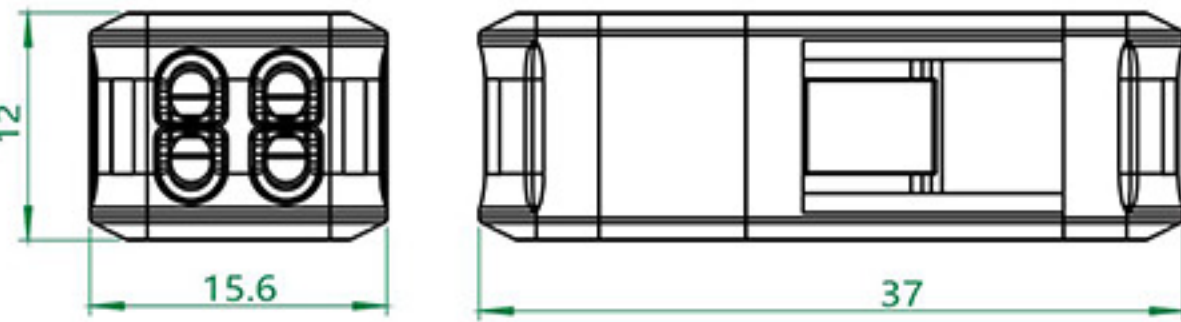

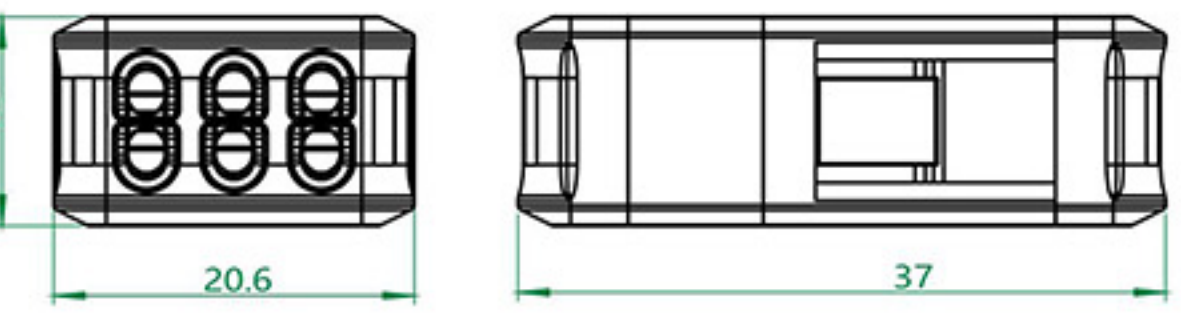


Third Step





Push the lever horizontally to clip the wire for brake




# LT-Series


 <p>LT-22</p>	
 <p>LT-33</p>	
 <p>LT-24</p>	
 <p>LT-36</p>	

## Technical parameter


Model	LT-22	LT-33	LT-24	LT-36
Appearance Specification				
Reference standard	IEC	IEC	IEC	IEC
Rated voltage	250V	250V	250V	250V
Rated current	24A	24A	24A	24A
Wire diameter	0.5-2.5mm <sup>2</sup>	0.5-2.5mm <sup>2</sup>	0.5-2.5mm <sup>2</sup>	0.5-2.5mm <sup>2</sup>
Voltage resistance	4kV	4kV	4kV	4kV
Mechanical properties				
Ambient temperature	-40°C~+105°C	-40°C~+105°C	-40°C~+105°C	-40°C~+105°C
Strip length	11-13mm	11-13mm	11-13mm	11-13mm
L/W/H	35×13×10.5	35×17×10.5	37×15.6×12	37×20.6×12
The number of poles	2P	3P	2P	3P
Lid colour				
Plastic parts	PC,UL94,V-2	PC,UL94,V-2	PC,UL94,V-2	PC,UL94,V-2
Shrapnel	S301	S301	S301	S301
Conductor material	T2	T2	T2	T2



**First Step**  
strip the wire 11-13mm



**Second Step**  
Plug the wire completely into the connector.

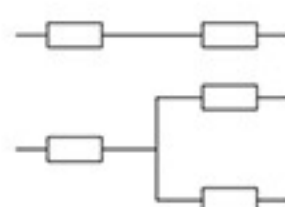


**Third Step**  
Simply plug it in and connect it properly

0.5~2.5mm<sup>2</sup>  
250V/4kV/24A

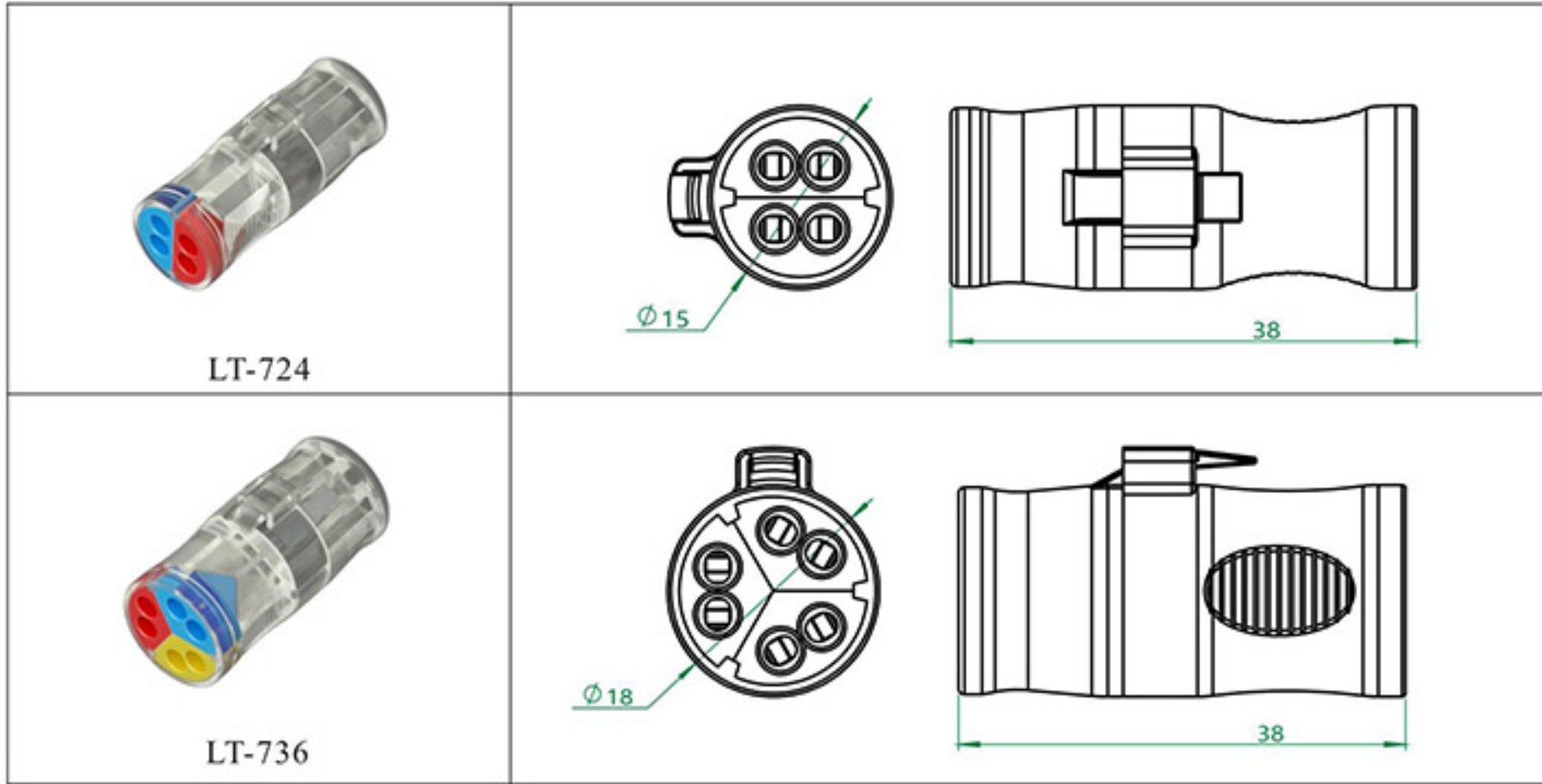
 Hard connecting wire

Wiring diagram diagram





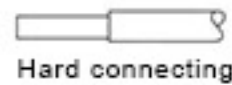
## LT docking series



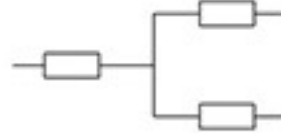
0.5~2.5mm<sup>2</sup>  
250V/4kV/24A



Soft connection



Hard connecting wire



## Technical parameter

Model	LT-724	LT-736		
Appearance Specification				
Reference standard	IEC	IEC		
Rated voltage	250V	250V		
Rated current	24A	24A		
Wire diameter	0.5-2.5mm <sup>2</sup>	0.5-2.5mm <sup>2</sup>		
Voltage resistance	4kV	4kV		
Mechanical properties				
Ambient temperature	-40°C~+105°C	-40°C~+105°C		
Strip length	11-12mm	11-12mm		
L/W/H	15×38	18×38		
The number of poles	2P	3P		
Lid colour				
Plastic parts	PC,UL94,V-2	PC,UL94,V-2		
Shrapnel	S301	S301		
Conductor material	T2	T2		



First Step

strip the wire 11-12mm



Second Step


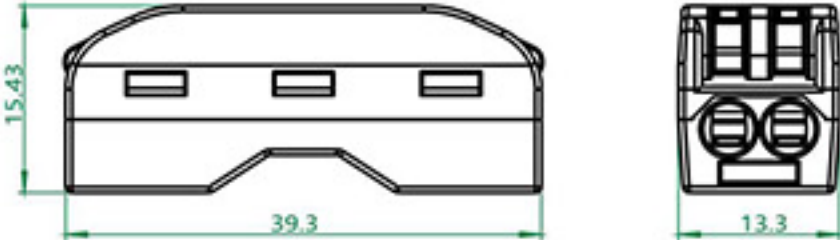

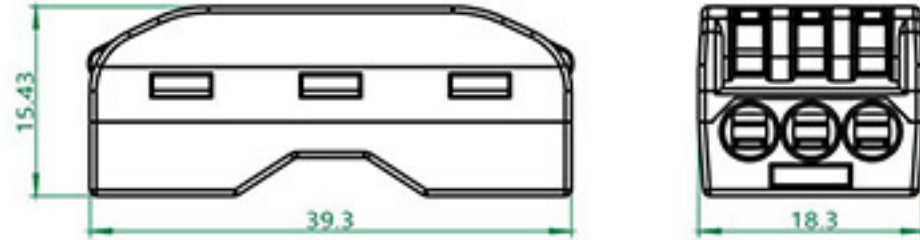

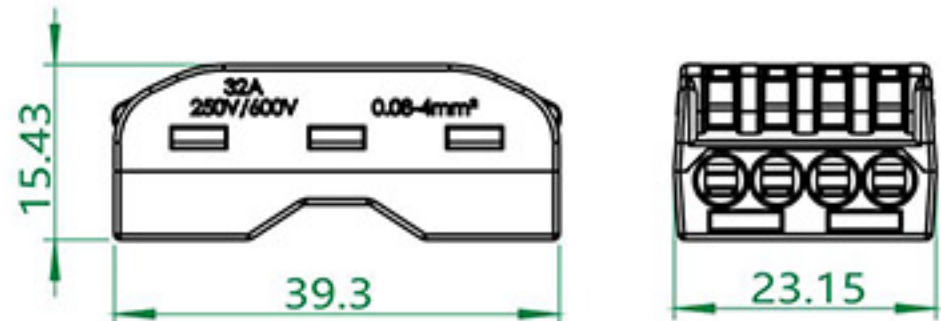


Dismantle the orange operation handle straight and plug the wire into the hole.



Third Step

Push the lever horizontally to clip the wire for brake

## PCT docking series

 <p>PCT-222</p>	
 <p>PCT-223</p>	
 <p>PCT-224</p>	
 <p>PCT-225</p>	

0.4~2.5mm<sup>2</sup>

0.5~4mm<sup>2</sup>

250V/4kV/32A






Soft connection



Hard connecting wire



## Technical parameter

Model	PCT-222	PCT-223	PCT-224	PCT-225
Appearance Specification				
Reference standard	IEC	IEC	IEC	IEC
Rated voltage	250V	250V	250V	250V
Rated current	32A	32A	32A	32A
Wire diameter	0.5-4mm <sup>2</sup>	0.5-4mm <sup>2</sup>	0.5-4mm <sup>2</sup>	0.5-4mm <sup>2</sup>
Voltage resistance	4kV	4kV	4kV	4kV
Mechanical properties				
Ambient temperature	-40°C~+105°C	-40°C~+105°C	-40°C~+105°C	-40°C~+105°C
Strip length	11-12mm	11-12mm	11-12mm	11-12mm
L/W/H	39.3×13×14.43	39.3×28.1×15.4	39.3×23.15×15.4	39.3×28.1×15.4
The number of poles	2P	3P	4P	5P
Lid colour				
Plastic parts	PC,UL94,V-2	PC,UL94,V-2	PC,UL94,V-2	PC,UL94,V-2
Shrapnel	S301	S301	S301	S301
Conductor material	T2	T2	T2	T2



First Step

strip the wire 11-12mm



Second Step

Dismantle the orange operation handle straight and plug the wire into the hole.


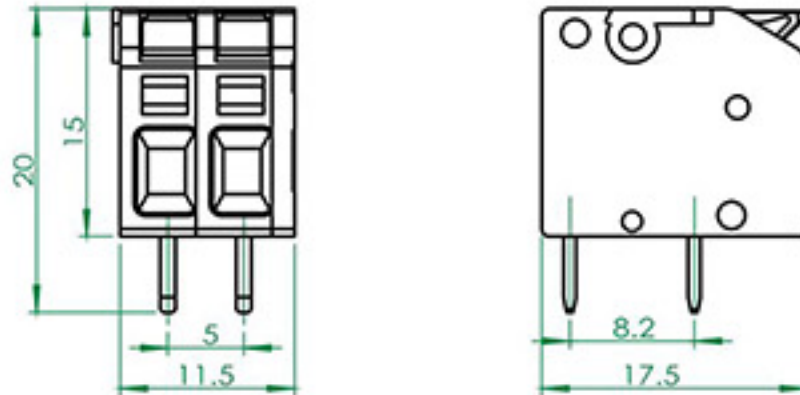

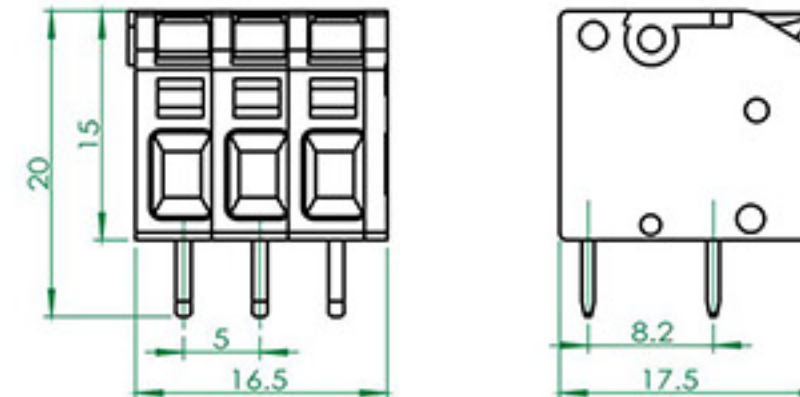
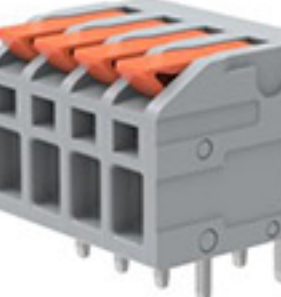
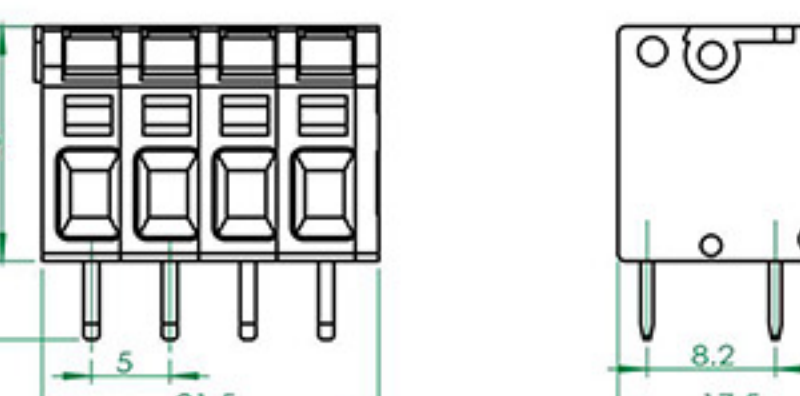
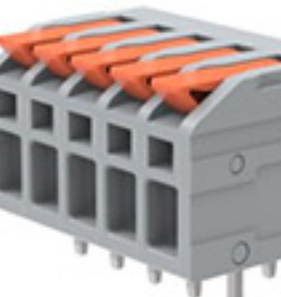
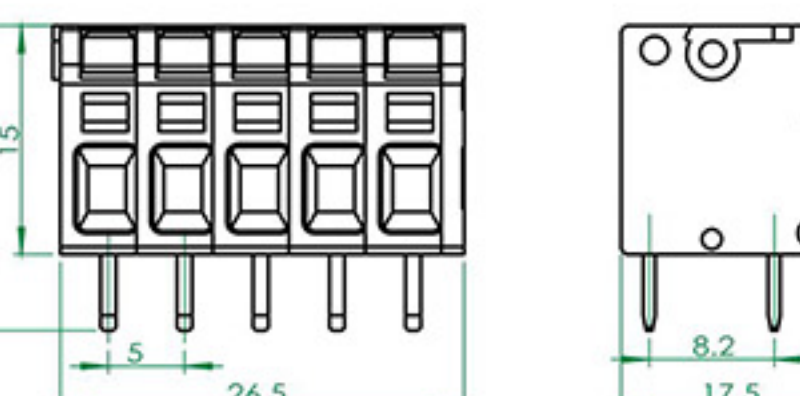


Third Step





Push the lever horizontally to clip the wire for brake



## LT docking series

 <p>LT-6204L-2</p>	
 <p>LT-6204L-3</p>	
 <p>LT-6204L-4</p>	
 <p>LT-6204L-5</p>	

## Technical parameter

Model	LT-6204L-2	LT-6204L-3	LT-6204L-4	LT-6204L-5
Appearance Specification				
Reference standard	IEC	IEC	IEC	IEC
Rated voltage	250V	250V	250V	250V
Rated current	24A	24A	24A	24A
Wire diameter	0.5-2.5mm <sup>2</sup>	0.5-2.5mm <sup>2</sup>	0.5-2.5mm <sup>2</sup>	0.5-2.5mm <sup>2</sup>
Voltage resistance	4kV	4kV	4kV	4kV
Mechanical properties				
Ambient temperature	-40°C~+105°C	-40°C~+105°C	-40°C~+105°C	-40°C~+105°C
Strip length	11-12mm	11-12mm	11-12mm	11-12mm
L/W/H	17.5×11.5×20	17.5×16.5×20	17.5×21.5×20	17.5×26.5×20
The number of poles	2P	3P	4P	5P
Lid colour				
Plastic parts	PA,UL94,V-2	PA,UL94,V-2	PA,UL94,V-2	PA,UL94,V-2
Shrapnel	S301	S301	S301	S301
Conductor material	T2	T2	T2	T2

0.5~2.5mm<sup>2</sup>

0.5~2.5mm<sup>2</sup>

250V/4kV/24A




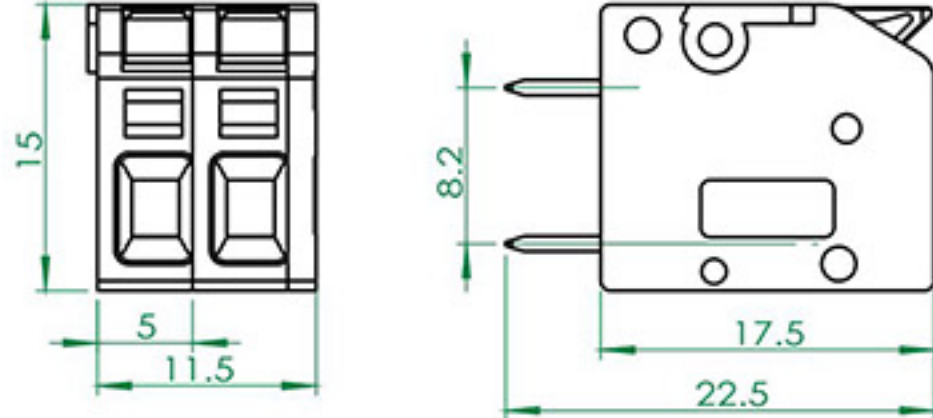

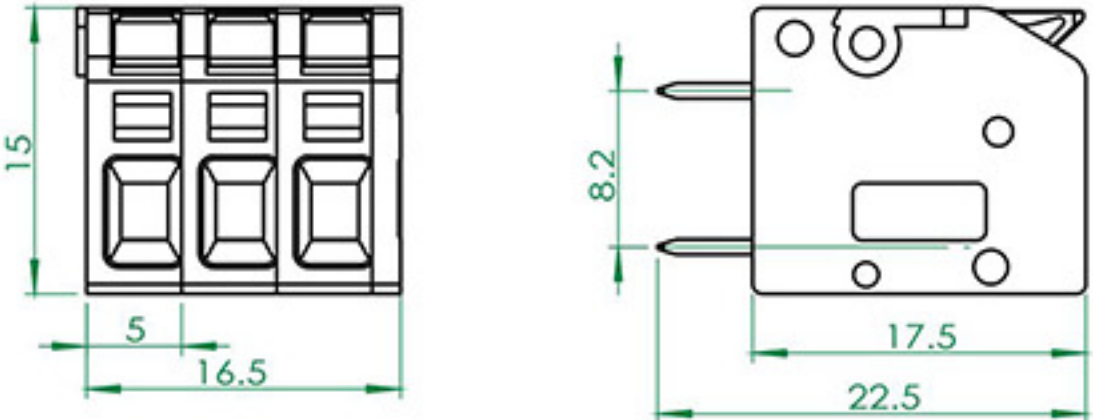

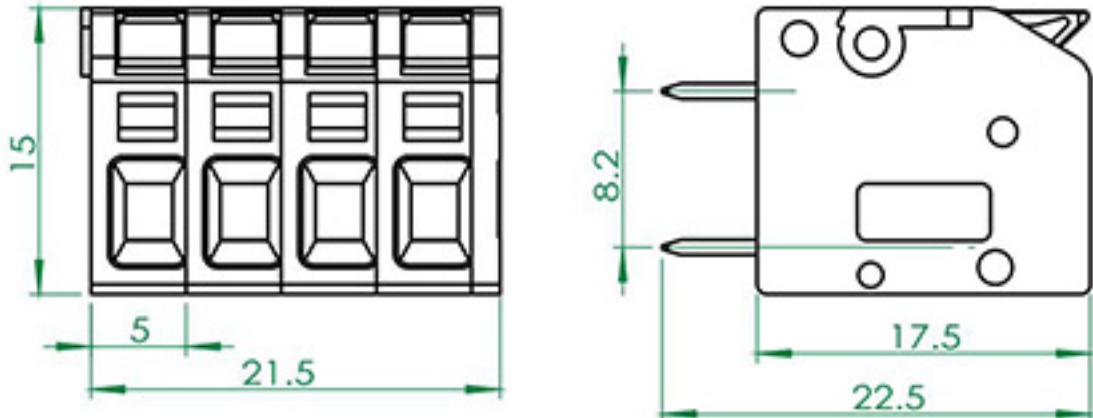

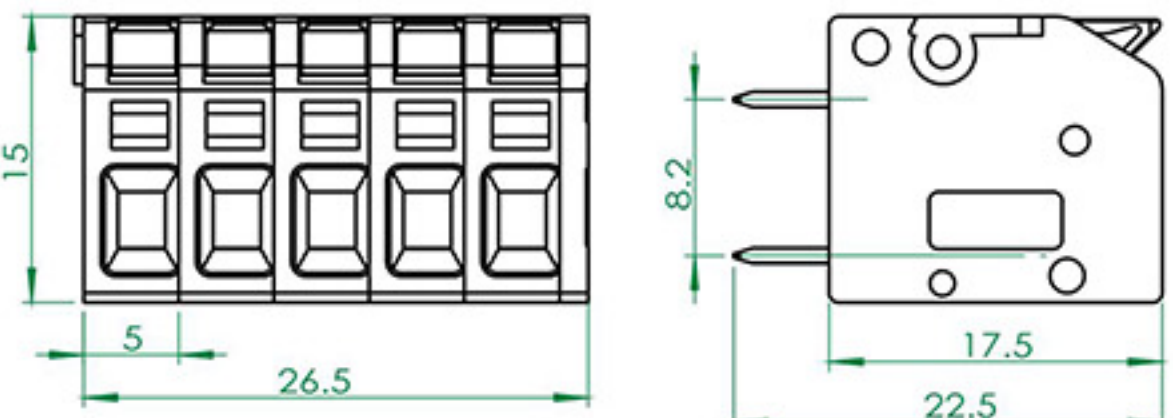
Soft connection



Hard connecting wire



## LT docking series

 <p>LT-6204R-2</p>	
 <p>LT-6204R-3</p>	
 <p>LT-6204R-4</p>	
 <p>LT-6204R-5</p>	

0.5~2.5mm<sup>2</sup>



Soft connection





0.5~2.5mm<sup>2</sup>



Hard connecting wire


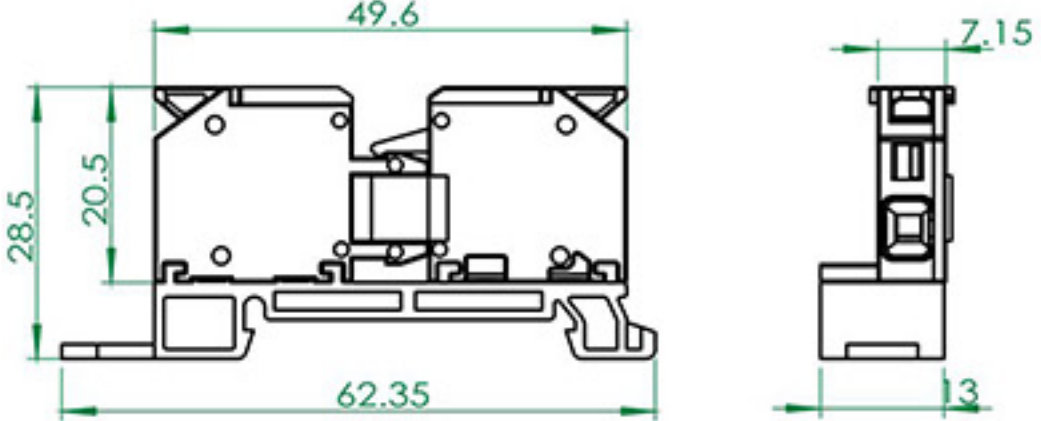

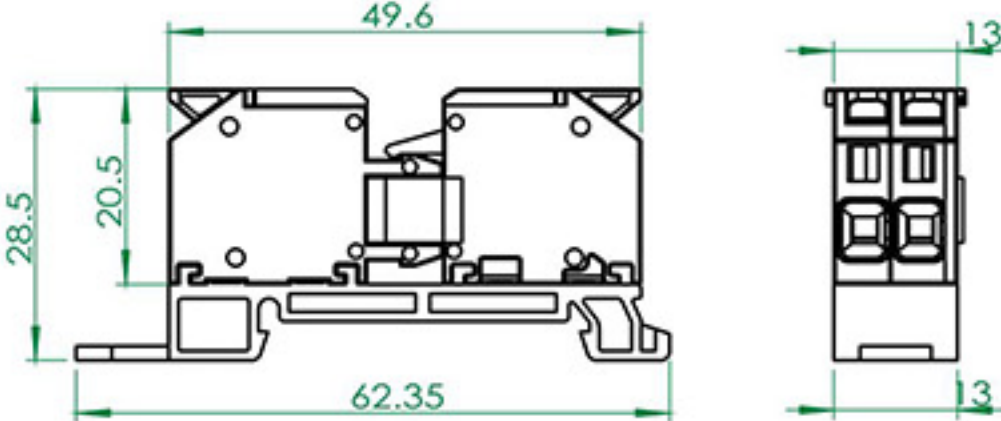

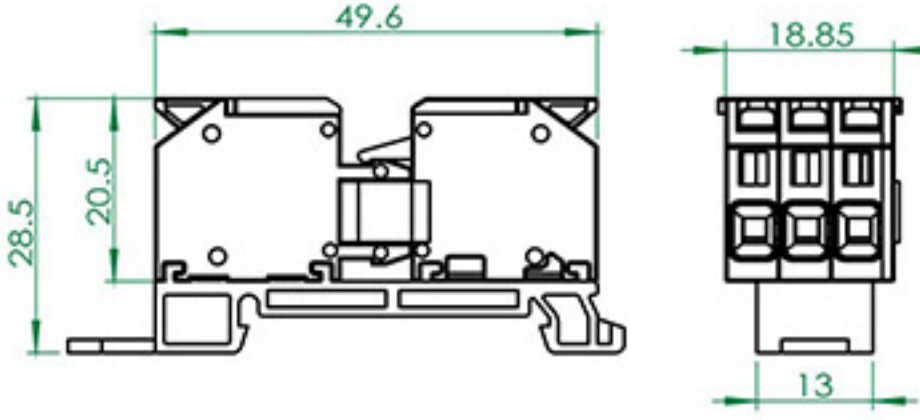

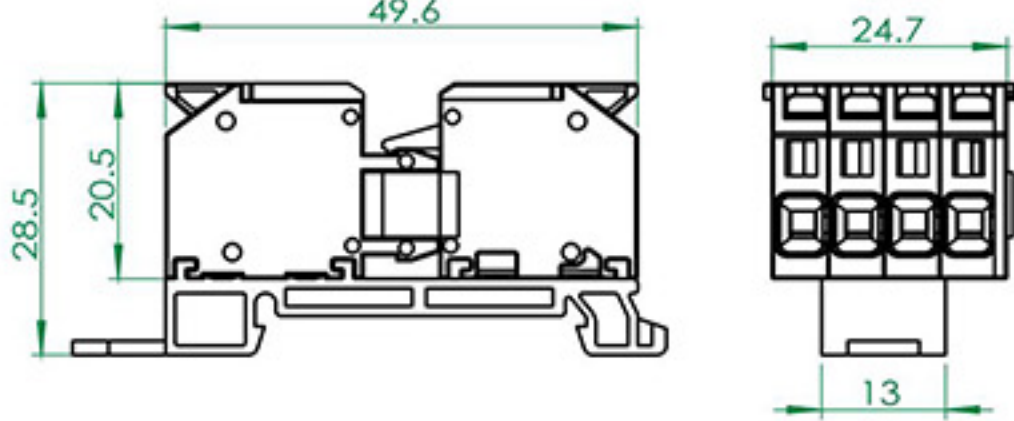
250V/4kV/24A

## Technical parameter

Model	LT-6204R-2	LT-6204R-3	LT-6204R-4	LT-6204R-5
Appearance Specification				
Reference standard	IEC	IEC	IEC	IEC
Rated voltage	250V	250V	250V	250V
Rated current	24A	24A	24A	24A
Wire diameter	0.5~2.5mm <sup>2</sup>	0.5~2.5mm <sup>2</sup>	0.5~2.5mm <sup>2</sup>	0.5~2.5mm <sup>2</sup>
Voltage resistance	4kV	4kV	4kV	4kV
Mechanical properties				
Ambient temperature	-40°C~+105°C	-40°C~+105°C	-40°C~+105°C	-40°C~+105°C
Strip length	11-12mm	11-12mm	11-12mm	11-12mm
L/W/H	22.5×11.5×15	22.5×16.5×15	22.5×21.5×15	22.5×26.5×15
The number of poles	2P	3P	4P	5P
Lid colour				
Plastic parts	PA,UL94,V-2	PA,UL94,V-2	PA,UL94,V-2	PA,UL94,V-2
Shrapnel	S301	S301	S301	S301
Conductor material	T2	T2	T2	T2



## LT docking series

 <p>LT-6FFD-1</p>	
 <p>LT-6FFD-2</p>	
 <p>LT-6FFD-3</p>	
 <p>LT-6FFD-4</p>	

0.5~4mm<sup>2</sup>

0.5~6mm<sup>2</sup>

450V/4kV/32A







Soft connection



Hard connecting wire







## Technical parameter

Model	LT-6FFD-1	LT-6FFD-2	LT-6FFD-3	LT-6FFD-4
Appearance Specification				
Reference standard	IEC	IEC	IEC	IEC
Rated voltage	450V	450V	450V	450V
Rated current	32A	32A	32A	32A
Wire diameter	0.5-6mm <sup>2</sup>	0.5-6mm <sup>2</sup>	0.5-6mm <sup>2</sup>	0.5-6mm <sup>2</sup>
Voltage resistance	4kV	4kV	4kV	4kV
Mechanical properties				
Ambient temperature	-40°C~+105°C	-40°C~+105°C	-40°C~+105°C	-40°C~+105°C
Strip length	11-12mm	11-12mm	11-12mm	11-12mm
L/W/H	49.6×7.15×20.5	49.6×13×20.5	49.6×18.85×20.5	49.6×24.7×20.5
The number of poles	1P	2P	3P	4P
Lid colour				
Plastic parts	PA,UL94,V-2	PA,UL94,V-2	PA,UL94,V-2	PA,UL94,V-2
Shrapnel	S301	S301	S301	S301
Conductor material	T2	T2	T2	T2



## LT docking series

 <p>LT-6FFD-5</p>	
 <p>LT-6FFD-6</p>	
 <p>LT-6FFD-8</p>	
 <p>LT-6FFD-10</p>	

0.5~4mm<sup>2</sup>

0.5~6mm<sup>2</sup>

450V/4kV/32A







Soft connection



Hard connecting wire

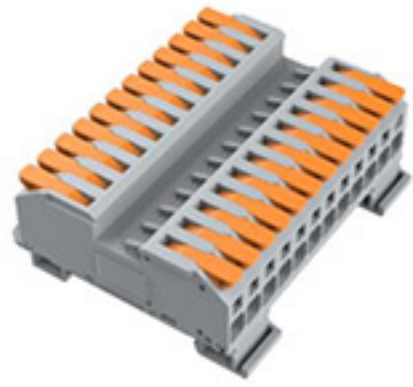


## Technical parameter

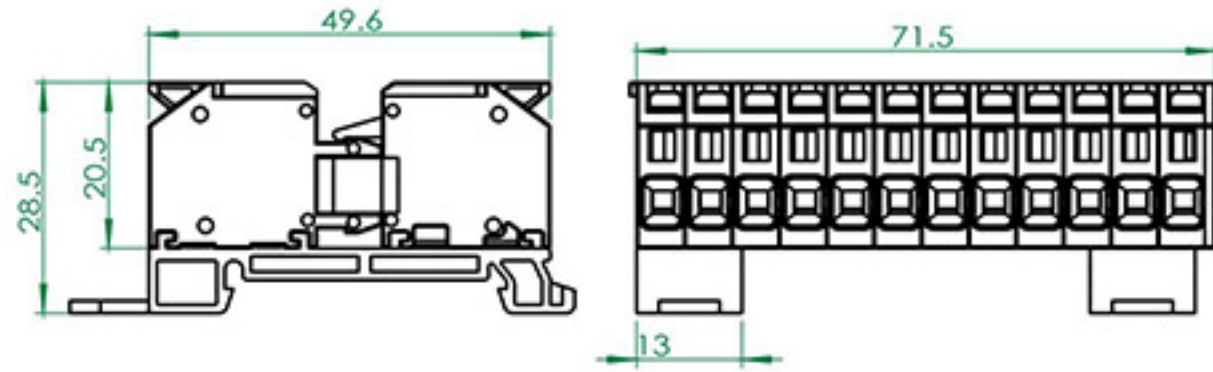
Model	LT-6FFD-5	LT-6FFD-6	LT-6FFD-8	LT-6FFD-10
Appearance Specification				
Reference standard	IEC	IEC	IEC	IEC
Rated voltage	450V	450V	450V	450V
Rated current	32A	32A	32A	32A
Wire diameter	0.5-6mm <sup>2</sup>	0.5-6mm <sup>2</sup>	0.5-6mm <sup>2</sup>	0.5-6mm <sup>2</sup>
Voltage resistance	4kV	4kV	4kV	4kV
Mechanical properties				
Ambient temperature	-40°C~+105°C	-40°C~+105°C	-40°C~+105°C	-40°C~+105°C
Strip length	11-12mm	11-12mm	11-12mm	11-12mm
L/W/H	49.6×30.55×20.5	49.6×36.4×20.5	49.6×48.1×20.5	49.6×59.8×20.5
The number of poles	5P	6P	8P	10P
Lid colour				
Plastic parts	PA,UL94,V-2	PA,UL94,V-2	PA,UL94,V-2	PA,UL94,V-2
Shrapnel	S301	S301	S301	S301
Conductor material	T2	T2	T2	T2




## LT docking series



LT-6FFD-12



## Technical parameter

Model	LT-6FFD-12			
Appearance Specification				
Reference standard	IEC			
Rated voltage	450V			
Rated current	32A			
Wire diameter	0.5-6mm <sup>2</sup>			
Voltage resistance	4kV			
Mechanical properties				
Ambient temperature	-40°C~+105°C			
Strip length	11-12mm			
L/W/H	49.6×71.5×20.5			
The number of poles	12P			
Lid colour				
Plastic parts	PA,UL94,V-2			
Shrapnel	S301			
Conductor material	T2			

0.5~4mm<sup>2</sup>

0.5~6mm<sup>2</sup>

450V/4kV/32A




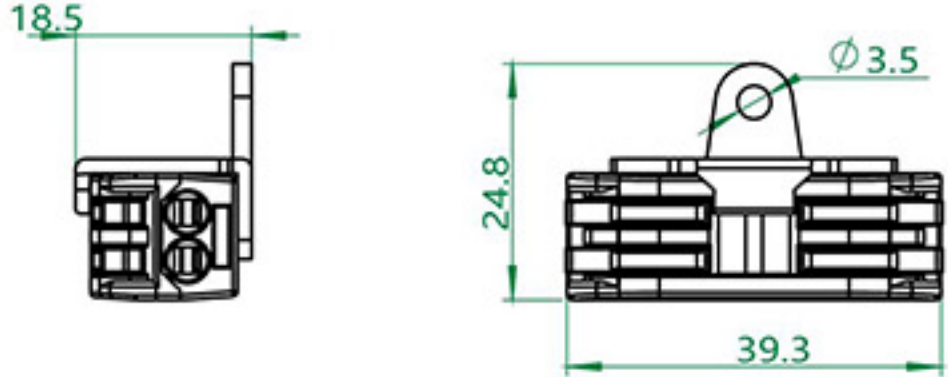

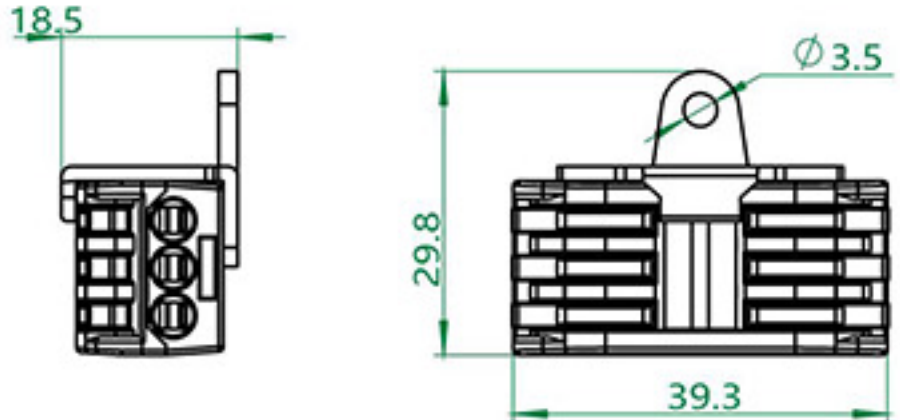

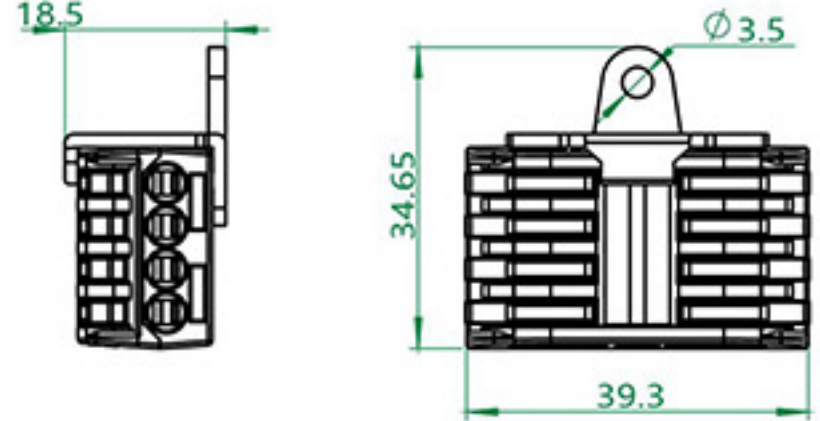

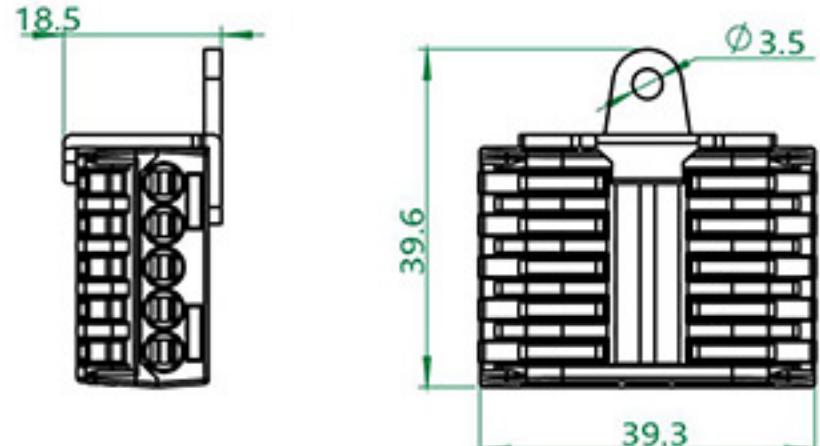
Soft connection



Hard connecting wire



## PCT series with installation buckle

 <p>PCT-222</p>	
 <p>PCT-223</p>	
 <p>PCT-224</p>	
 <p>PCT-225</p>	

0.4~2.5mm<sup>2</sup>

0.5~4mm<sup>2</sup>

250V/4kV/32A







Soft connection



Hard connecting wire



## Technical parameter

Model	PCT-222	PCT-223	PCT-224	PCT-225
Appearance Specification				
Reference standard	IEC	IEC	IEC	IEC
Rated voltage	250V	250V	250V	250V
Rated current	32A	32A	32A	32A
Wire diameter	0.5-4mm <sup>2</sup>	0.5-4mm <sup>2</sup>	0.5-4mm <sup>2</sup>	0.5-4mm <sup>2</sup>
Voltage resistance	4kV	4kV	4kV	4kV
Mechanical properties				
Ambient temperature	-40°C~+105°C	-40°C~+105°C	-40°C~+105°C	-40°C~+105°C
Strip length	11-12mm	11-12mm	11-12mm	11-12mm
L/W/H	39.3×24.8×18.5	39.3×29.8×18.5	39.3×34.65×18.5	39.3×39.6×18.5
The number of poles	2P	3P	4P	5P
Lid colour				
Plastic parts	PC,UL94,V-2	PC,UL94,V-2	PC,UL94,V-2	PC,UL94,V-2
Shrapnel	S301	S301	S301	S301
Conductor material	T2	T2	T2	T2



First Step

strip the wire 11-12mm



Second Step

Dismantle the orange operation handle straight and plug the wire into the hole.




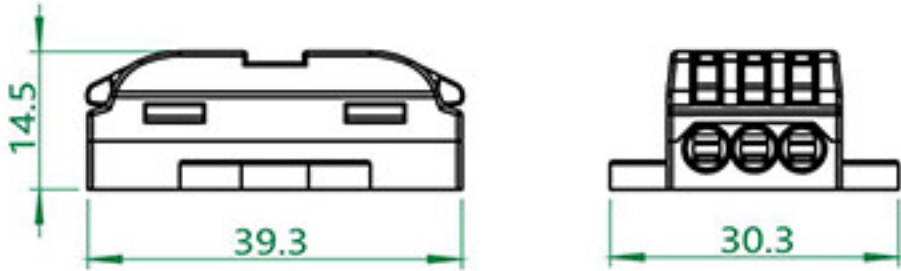

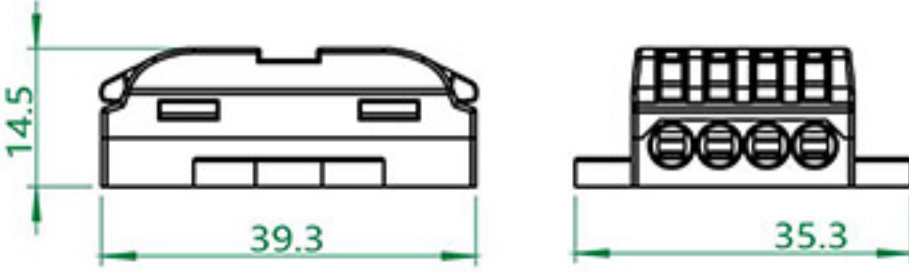

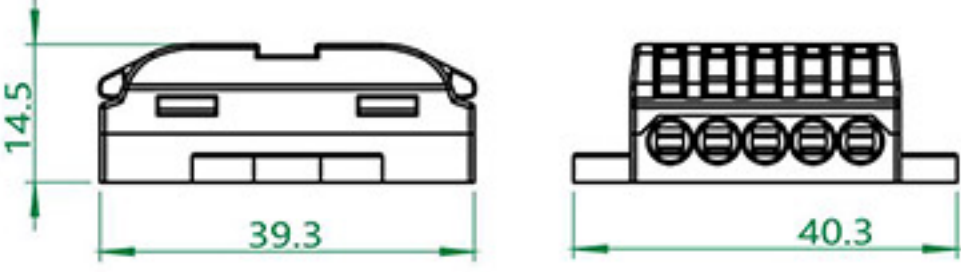


Third Step

Push the lever horizontally to clip the wire for brake



## PCT series with installation buckle

 PCT-223-2P	
 PCT-223-3P	
 PCT-223-4P	
 PCT-223-5P	

0.4~2.5mm<sup>2</sup>

0.5~4mm<sup>2</sup>

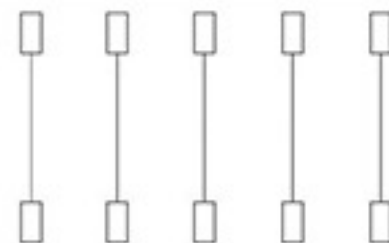
250V/4kV/32A



Soft connection



Hard connecting wire



## Technical parameter

Model	PCT-223-2P	PCT-223-3P	PCT-223-4P	PCT-223-5P
Appearance Specification				
Reference standard	IEC	IEC	IEC	IEC
Rated voltage	250V	250V	250V	250V
Rated current	32A	32A	32A	32A
Wire diameter	0.5-4mm <sup>2</sup>	0.5-4mm <sup>2</sup>	0.5-4mm <sup>2</sup>	0.5-4mm <sup>2</sup>
Voltage resistance	4kV	4kV	4kV	4kV
Mechanical properties				
Ambient temperature	-40°C~+105°C	-40°C~+105°C	-40°C~+105°C	-40°C~+105°C
Strip length	11-12mm	11-12mm	11-12mm	11-12mm
L/W/H	39.3×25.3×14.5	39.3×30.3×14.5	39.3×35.3×14.5	39.3×40.3×14.5
The number of poles	2P	3P	4P	5P
Lid colour				
Plastic parts	PC,UL94,V-2	PC,UL94,V-2	PC,UL94,V-2	PC,UL94,V-2
Shrapnel	S301	S301	S301	S301
Conductor material	T2	T2	T2	T2



First Step

strip the wire 11-12mm



Second Step

Dismantle the orange operation handle straight and plug the wire into the hole.


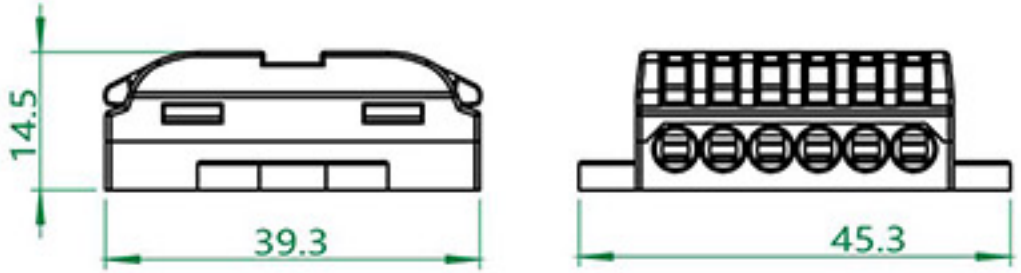

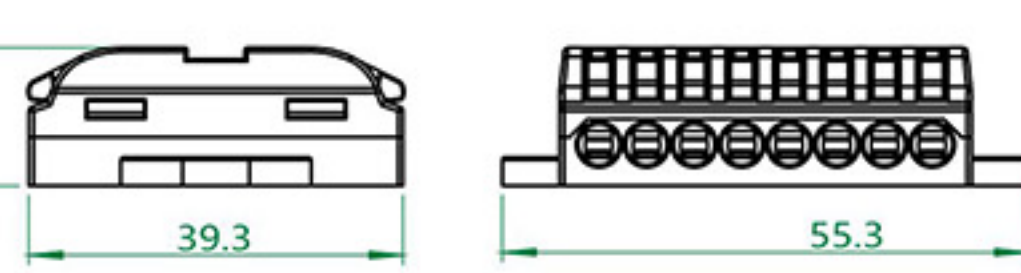

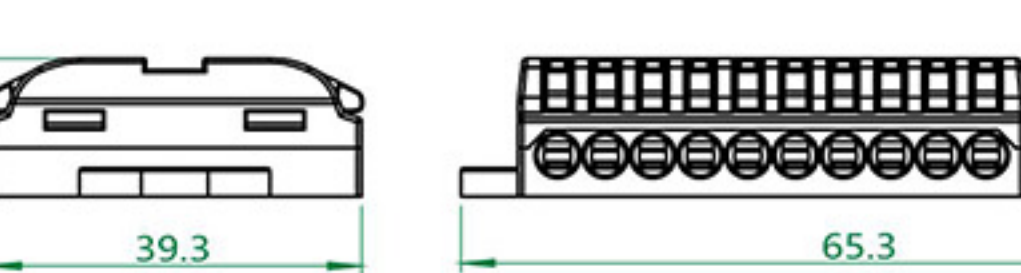

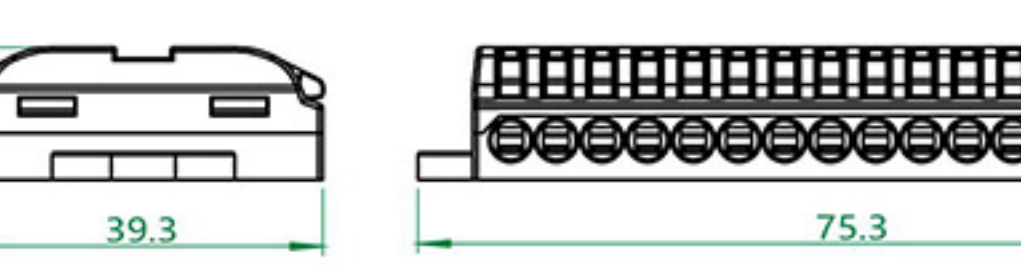


Third Step




Push the lever horizontally to clip the wire for brake




PCT 223 series


 <p>PCT-223-6P</p>	
 <p>PCT-223-8P</p>	
 <p>PCT-223-10P</p>	
 <p>PCT-223-12P</p>	

Technical parameter


Model	PCT-223-6P	PCT-223-8P	PCT-223-10P	PCT-223-12P
Appearance Specification				
Reference standard	IEC	IEC	IEC	IEC
Rated voltage	250V	250V	250V	250V
Rated current	32A	32A	32A	32A
Wire diameter	0.5-4mm <sup>2</sup>	0.5-4mm <sup>2</sup>	0.5-4mm <sup>2</sup>	0.5-4mm <sup>2</sup>
Voltage resistance	4kV	4kV	4kV	4kV
Mechanical properties				
Ambient temperature	-40°C~+105°C	-40°C~+105°C	-40°C~+105°C	-40°C~+105°C
Strip length	11-12mm	11-12mm	11-12mm	11-12mm
L/W/H	39.3×45.3×14.5	39.3×55.3×14.5	39.3×65.3×14.5	39.3×75.3×14.5
The number of poles	6P	8P	10P	12P
Lid colour				
Plastic parts	PC,UL94,V-2	PC,UL94,V-2	PC,UL94,V-2	PC,UL94,V-2
Shrapnel	S301	S301	S301	S301
Conductor material	T2	T2	T2	T2



**First Step**  
strip the wire 11-12mm





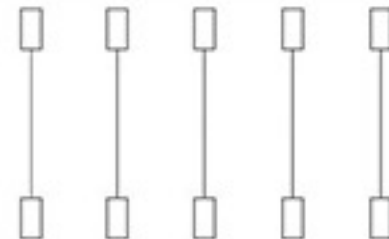
**Second Step**  
Dismantle the orange operation handle straight and plug the wire into the hole.



**Third Step**  
Push the lever horizontally to clip the wire for brake


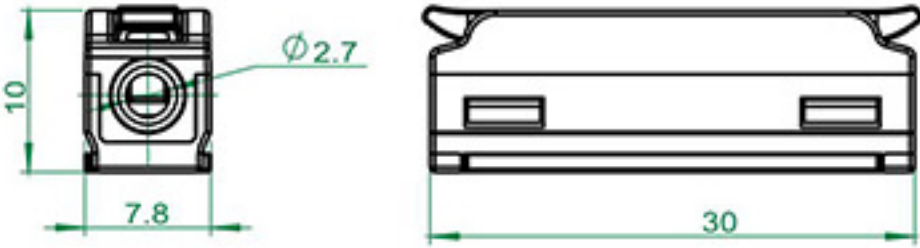

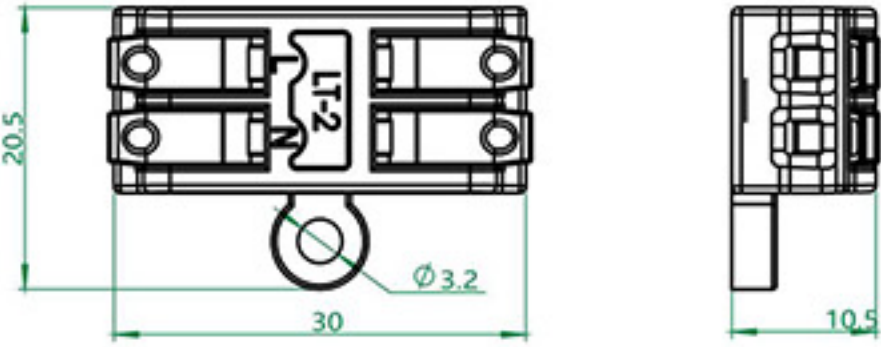

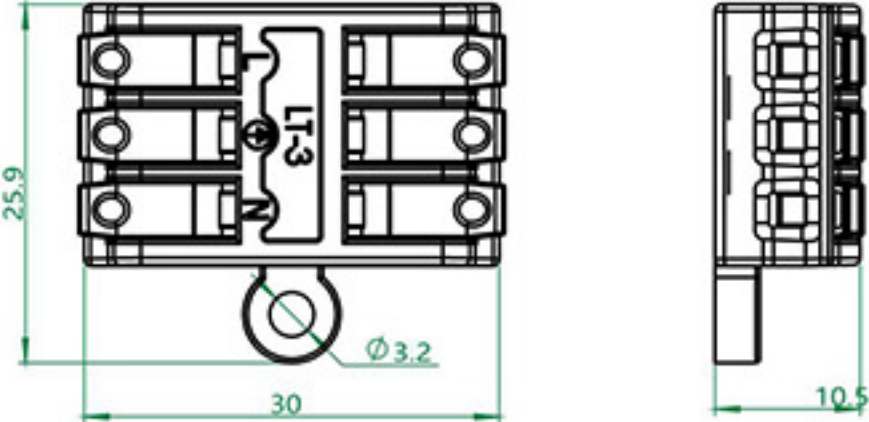
0.4~2.5mm<sup>2</sup>  
0.5~4mm<sup>2</sup>  
250V/4kV/32A

 Soft connection  
 Hard connecting wire








## LT-662 Docking series

 <p>LT-1</p>	
 <p>LT-2</p>	
 <p>LT-3</p>	

## Technical parameter

Model	LT-1	LT-2	LT-3	
Appearance Specification				
Reference standard	IEC	IEC	IEC	
Rated voltage	250V	250V	250V	
Rated current	32A	32A	32A	
Wire diameter	0.5-4mm <sup>2</sup>	0.5-4mm <sup>2</sup>	0.5-4mm <sup>2</sup>	
Voltage resistance	4kV	4kV	4KV	
Mechanical properties				
Ambient temperature	-40°C~+105°C	-40°C~+105°C	-40°C~+105°C	
Strip length	11-12mm	11-12mm	11-12mm	
L/W/H	30×7.8×10	30×20.5×10.5	30×25.9×10.5	
The number of poles	1P	2P	3P	
Lid colour				
Plastic parts	PC,UL94,V-2	PC,UL94,V-2	PC,UL94,V-2	
Shrapnel	S301	S301	S301	
Conductor material	T2	T2	T2	



**First Step**  
strip the wire 11-12mm



**Second Step**  
Dismantle the orange operation handle straight and plug the wire into the hole.



**Third Step**  
Push the lever horizontally to clip the wire for brake

0.4~2.5mm<sup>2</sup>

0.5~4mm<sup>2</sup>

250V/4kV/32A

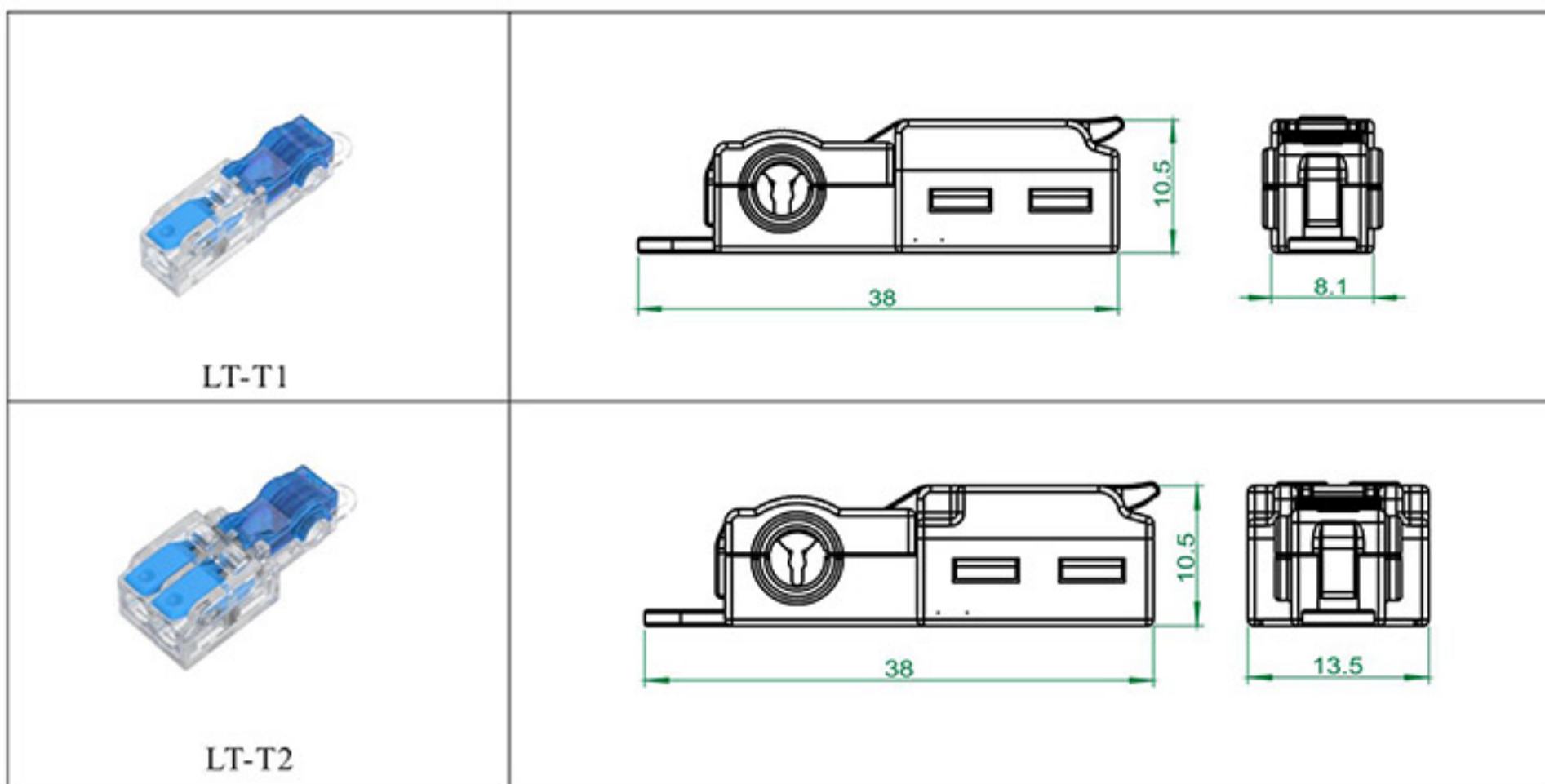


Soft connection



Hard connecting wire





Model	LT-T1	LT-T2		
Appearance Specification				
Reference standard	IEC	IEC		
Rated voltage	250V	250V		
Rated current	32A	32A		
Wire diameter	红色2.5-4mm <sup>2</sup> 蓝色1.5-2.5mm <sup>2</sup> 黄色1-1.5mm <sup>2</sup>			
Voltage resistance	4kV	4kV		
Mechanical properties				
Ambient temperature	-40°C~+105°C	-40°C~+105°C		
Strip length	11-12mm	11-12mm		
L/W/H	38×8.1×10.5	38×13.5×10.5		
The number of poles	1P	2P		
Lid colour				
Plastic parts	PC,UL94,V-2	PC,UL94,V-2		
Shrapnel	S301	S301		
Conductor material	T2	T2		

**First Step**

strip the wire 11-12mm

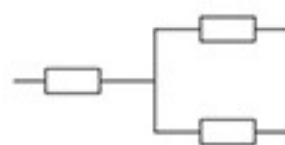
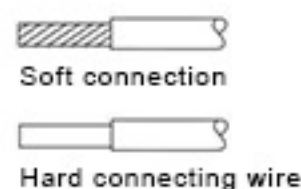
**Second Step**

Dismantle the orange operation handle straight and plug the wire into the hole.

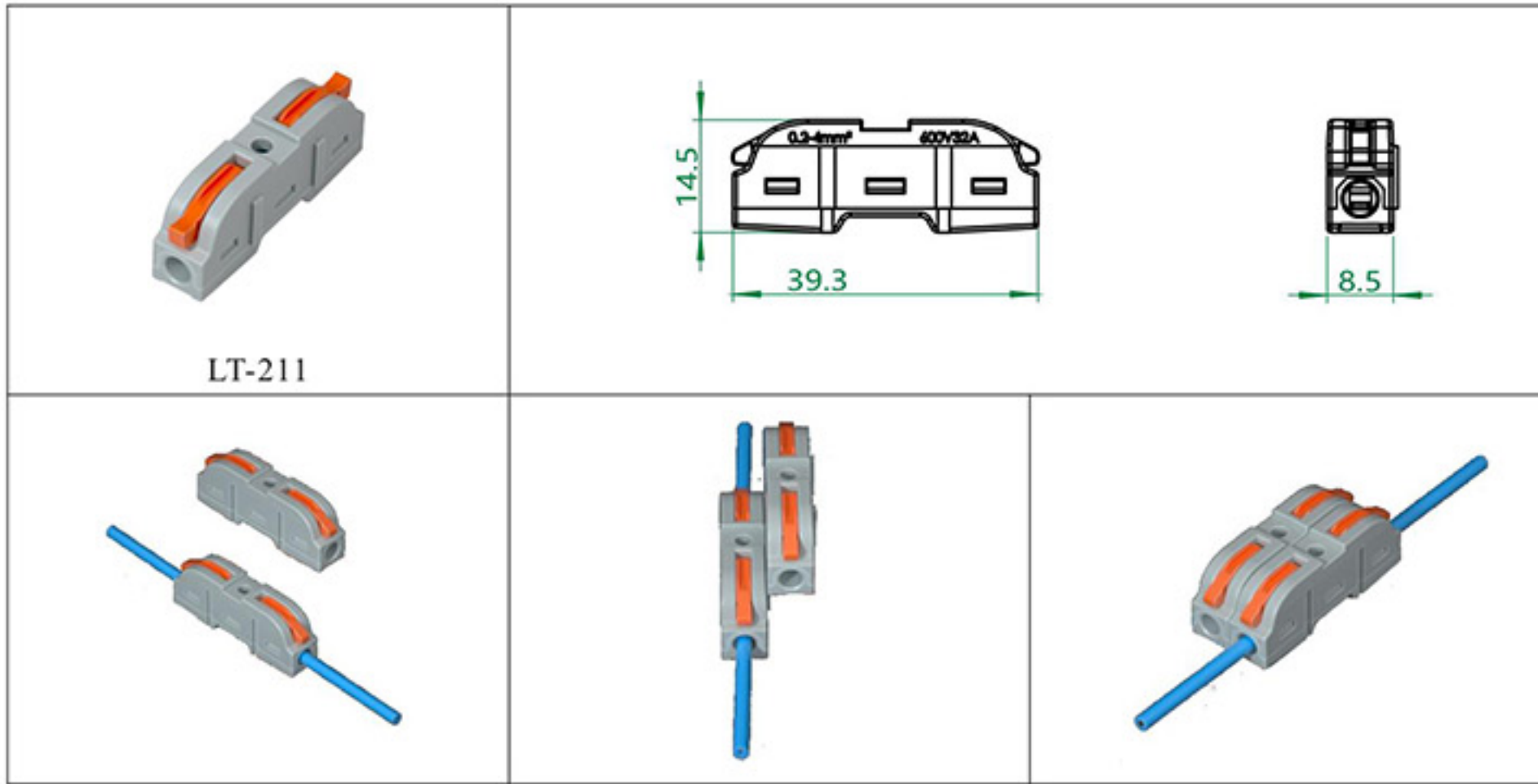
**Third Step**

Push the lever horizontally to clip the wire for brake

0.4~2.5mm<sup>2</sup>  
0.5~4mm<sup>2</sup>  
250V/4kV/32A







将两个端子对准拼接槽 滑入即可拼接完成

0.4~2.5mm<sup>2</sup>

0.5~4mm<sup>2</sup>

250V/4kV/32A




Soft connection



Hard connecting wire



## Technical parameter

Model	LT-211			
Appearance Specification				
Reference standard	IEC			
Rated voltage	250V			
Rated current	32A			
Wire diameter	0.5-4mm <sup>2</sup>			
Voltage resistance	4kV			
Mechanical properties				
Ambient temperature	-40°C~+105°C			
Strip length	11-12mm			
L/W/H	39.3×8.5×14.44			
The number of poles	1P			
Lid colour				
Plastic parts	PC,UL94,V-2			
Shrapnel	S301			
Conductor material	T2			



First Step

strip the wire 11-12mm



Second Step


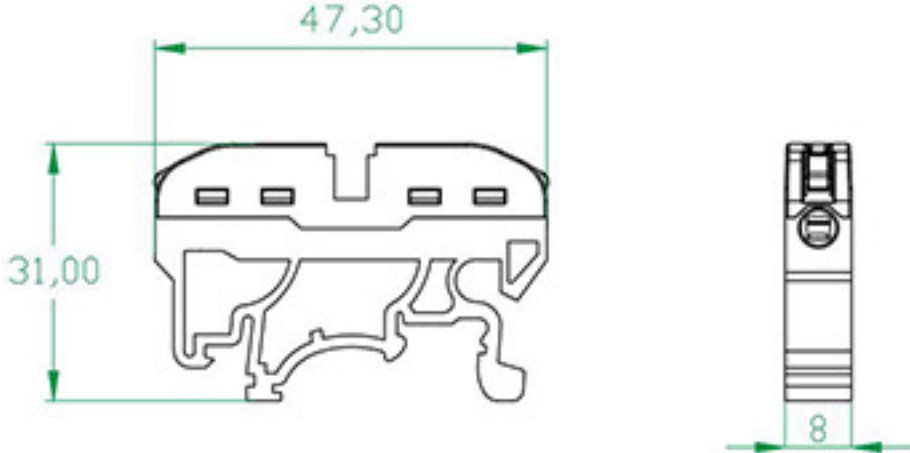

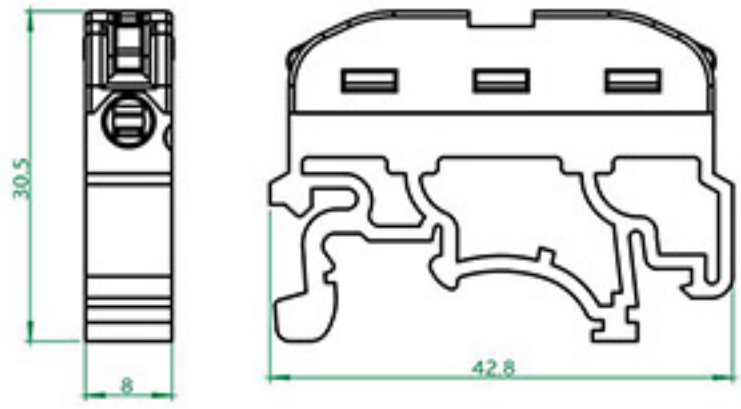

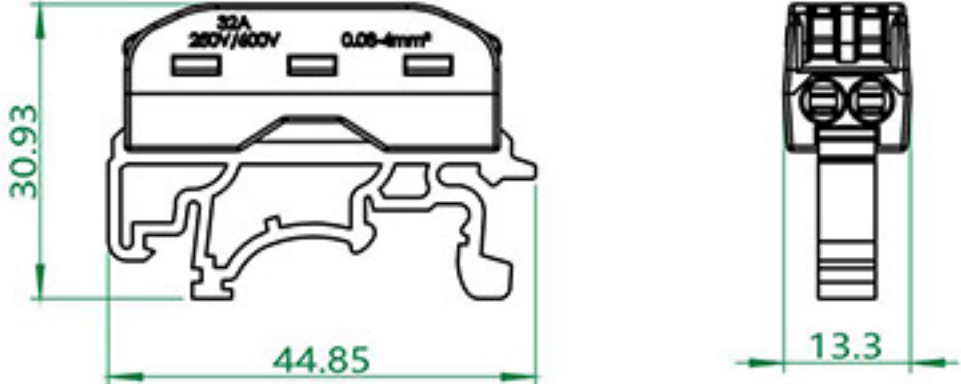

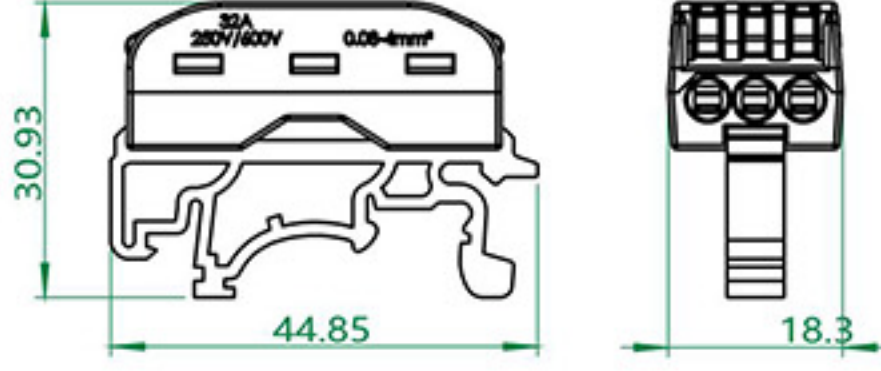
Dismantle the orange operation handle straight and plug the wire into the hole.



Third Step

Push the lever horizontally to clip the wire for brake

## Docking series

 <p>PCT-211D</p>	
 <p>PCT-211</p>	
 <p>PCT-222D</p>	
 <p>PCT-223D</p>	

0.4~2.5mm<sup>2</sup>

0.5~4mm<sup>2</sup>

250V/4kV/32A







Soft connection



Hard connecting wire



## Technical parameter

Model	PCT-211D	PCT-211	PCT-222D	PCT-223D
Appearance Specification				
Reference standard	IEC	IEC	IEC	IEC
Rated voltage	250V	250V	250V	250V
Rated current	32A	32A	32A	32A
Wire diameter	0.5-4mm <sup>2</sup>	0.5-4mm <sup>2</sup>	0.5-4mm <sup>2</sup>	0.5-4mm <sup>2</sup>
Voltage resistance	4kV	4kV	4kV	4kV
Mechanical properties				
Ambient temperature	-40°C~+105°C	-40°C~+105°C	-40°C~+105°C	-40°C~+105°C
Strip length	11-12mm	11-12mm	11-12mm	11-12mm
L/W/H	47.3×31×8	42.8×8×30.5	44.8×13.3×30.9	44.8×18.3×30.9
The number of poles	1P	1P	2P	3P
Lid colour				
Plastic parts	PC,UL94,V-2	PC,UL94,V-2	PC,UL94,V-2	PC,UL94,V-2
Shrapnel	S301	S301	S301	S301
Conductor material	T2	T2	T2	T2



First Step

strip the wire 11-12mm



Second Step

Dismantle the orange operation handle straight and plug the wire into the hole.

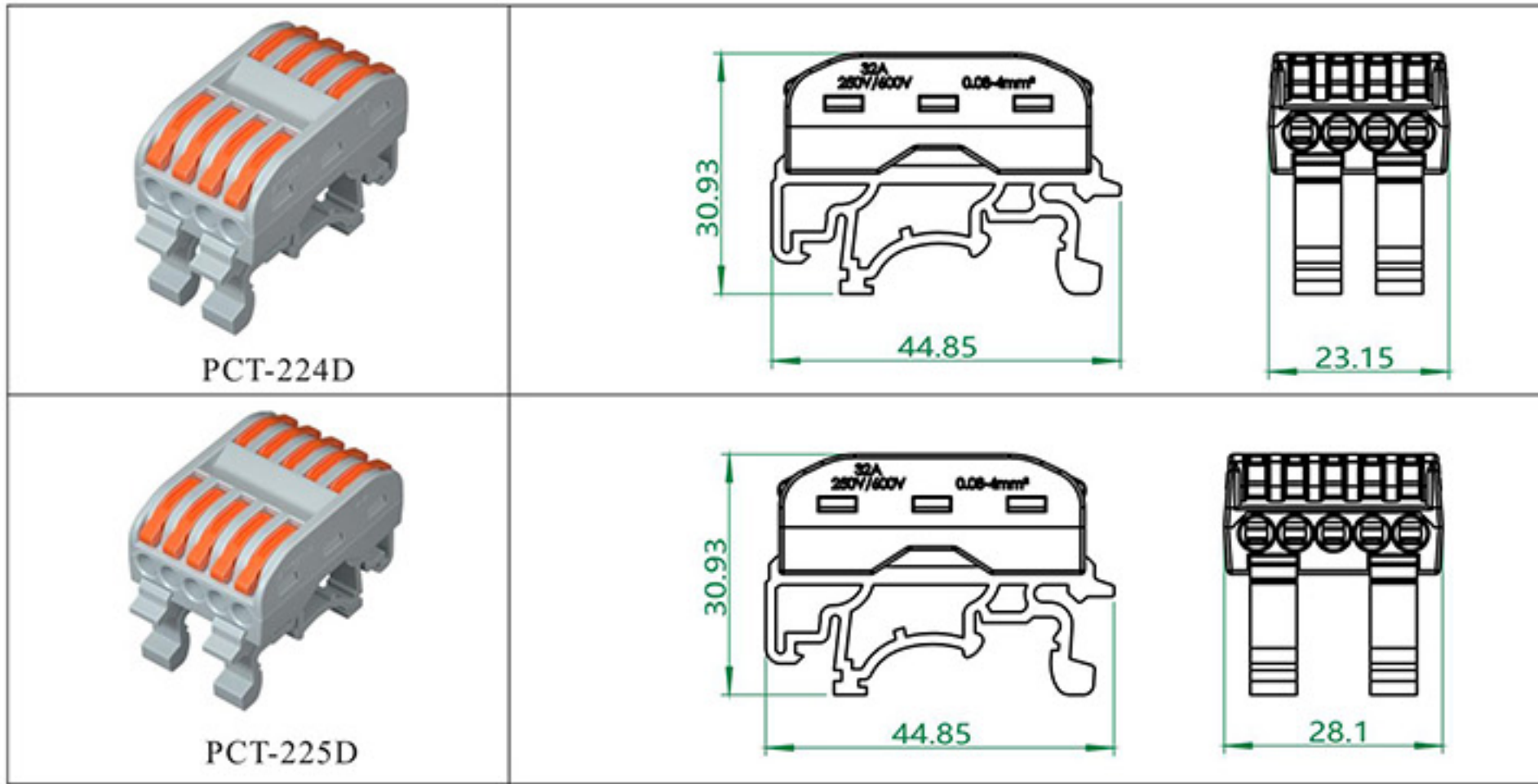


Third Step

Push the lever horizontally to clip the wire for brake

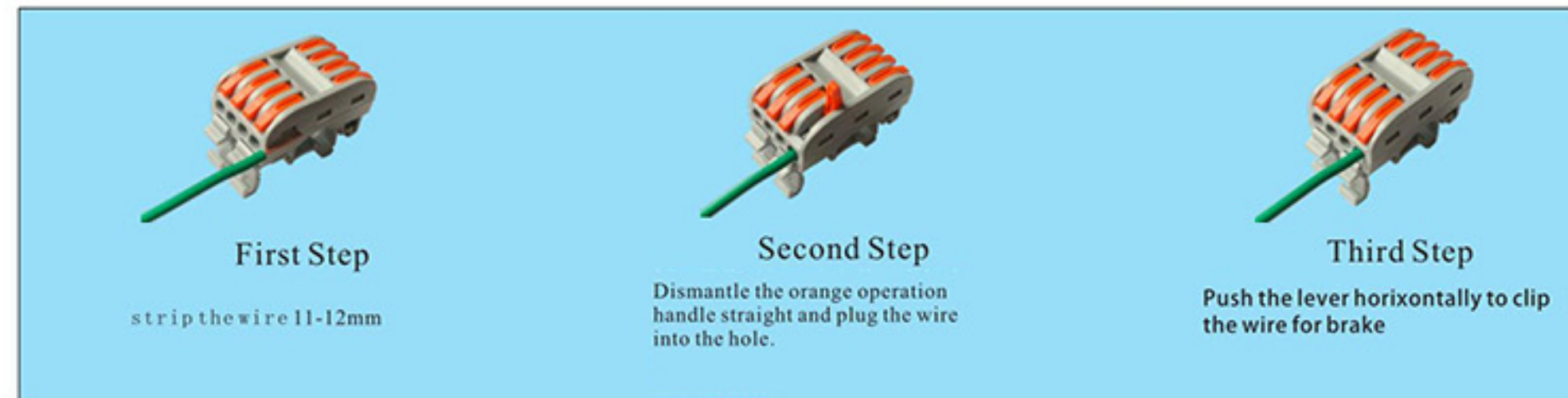


## LT-docking series



## Technical parameter

Model	PCT-224D	PCT-225D		
Appearance Specification				
Reference standard	IEC	IEC		
Rated voltage	250V	250V		
Rated current	32A	32A		
Wire diameter	0.5-4mm <sup>2</sup>	0.5-4mm <sup>2</sup>		
Voltage resistance	4kV	4kV		
Mechanical properties				
Ambient temperature	-40°C~+105°C	-40°C~+105°C		
Strip length	11-12mm	11-12mm		
L/W/H	44.8×23.15×30.9	44.8×28.1×30.9		
The number of poles	4P	5P		
Lid colour				
Plastic parts	PC,UL94,V-2	PC,UL94,V-2		
Shrapnel	S301	S301		
Conductor material	T2	T2		



0.4~2.5mm<sup>2</sup>

0.5~4mm<sup>2</sup>

250V/4kV/32A



Soft connection


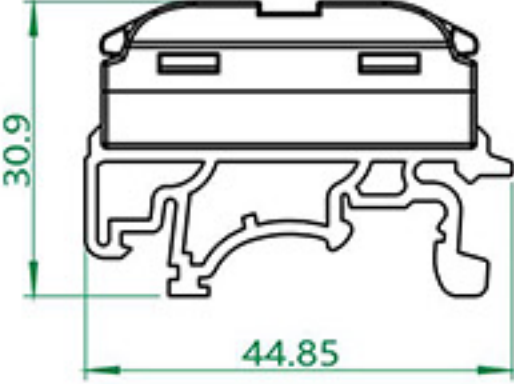
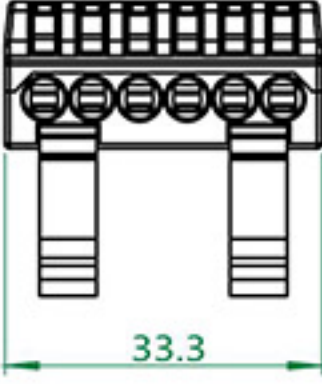

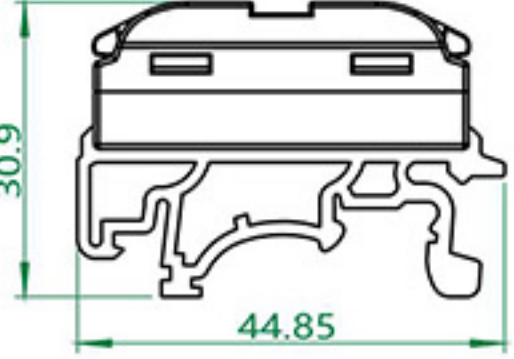
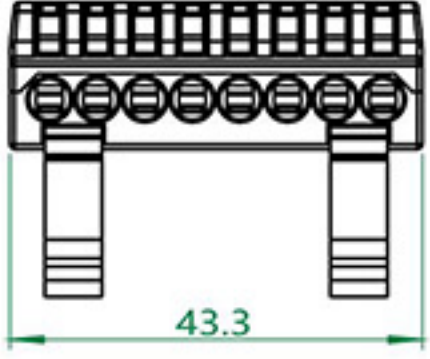
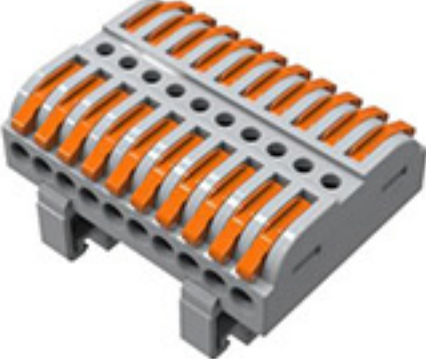
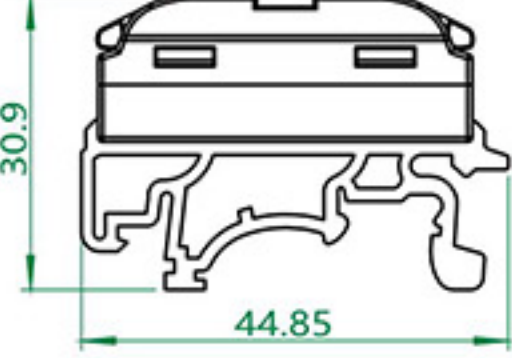
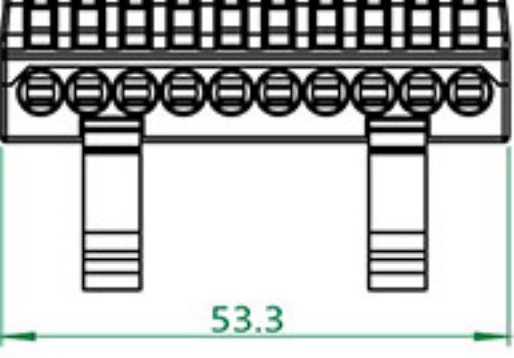

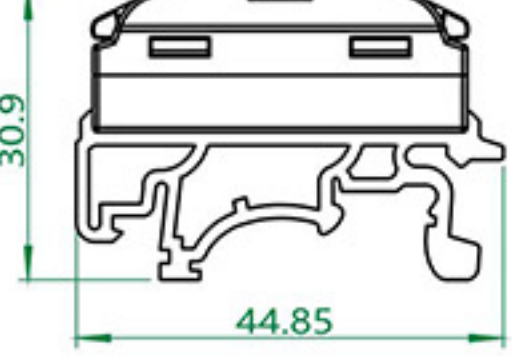
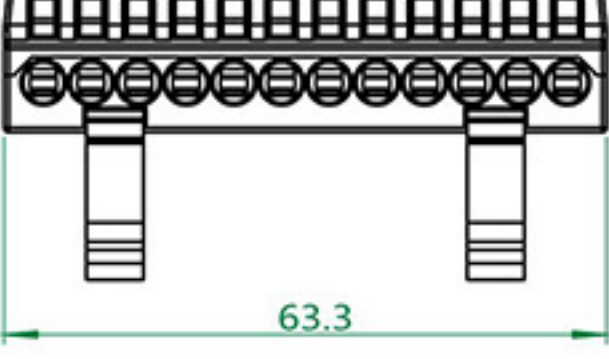


Hard connecting wire





## LT-223 docking series

 <p>LT-223-6D</p>		
 <p>LT-223-8D</p>		
 <p>LT-223-10D</p>		
 <p>LT-223-12D</p>		

0.4~2.5mm<sup>2</sup>

0.5~4mm<sup>2</sup>

250V/4kV/32A







Soft connection



Hard connecting wire



## Technical parameter

Model	LT-223-6D	LT-223-8D	LT-223-10D	LT-223-12D
Appearance Specification				
Reference standard	IEC	IEC	IEC	IEC
Rated voltage	250V	250V	250V	250V
Rated current	32A	32A	32A	32A
Wire diameter	0.5-4mm <sup>2</sup>	0.5-4mm <sup>2</sup>	0.5-4mm <sup>2</sup>	0.5-4mm <sup>2</sup>
Voltage resistance	4kV	4kV	4kV	4kV
Mechanical properties				
Ambient temperature	-40°C~+105°C	-40°C~+105°C	-40°C~+105°C	-40°C~+105°C
Strip length	11-12mm	11-12mm	11-12mm	11-12mm
L/W/H	44.8×33.3×30.9	44.8×43.3×30.9	44.8×53.3×30.9	44.8×63.3×30.9
The number of poles	6P	8P	10P	12P
Lid colour				
Plastic parts	PC,UL94,V-2	PC,UL94,V-2	PC,UL94,V-2	PC,UL94,V-2
Shrapnel	S301	S301	S301	S301
Conductor material	T2	T2	T2	T2



First Step

strip the wire 11-12mm



Second Step

Dismantle the orange operation handle straight and plug the wire into the hole.


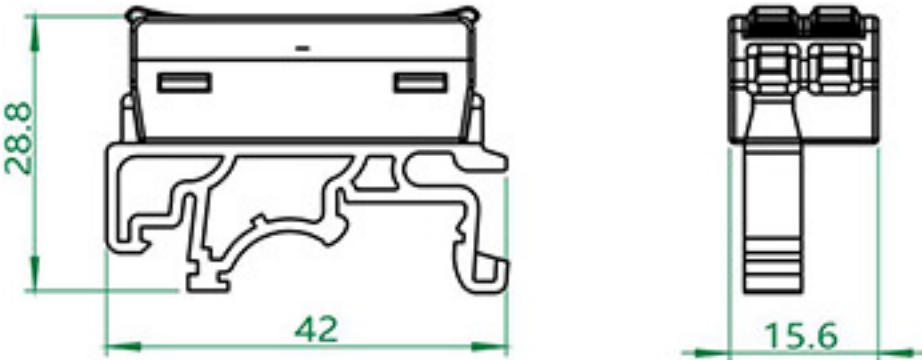

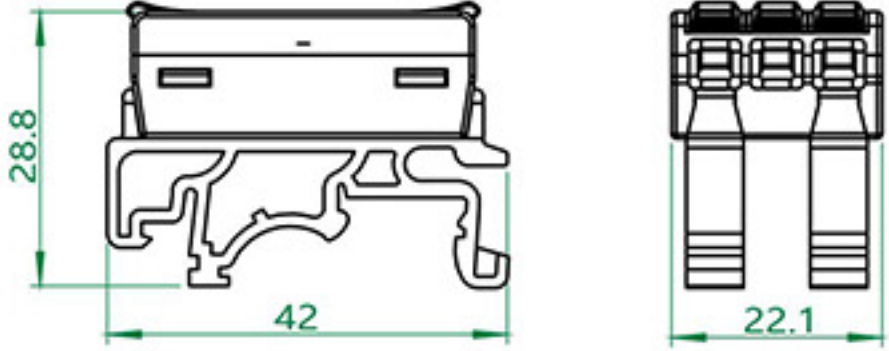

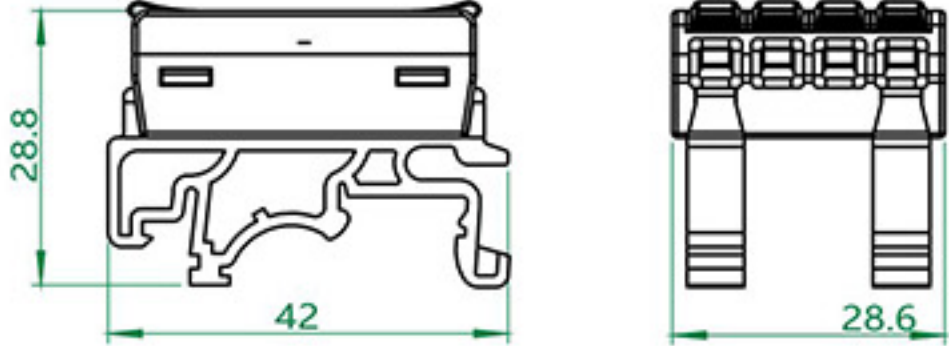

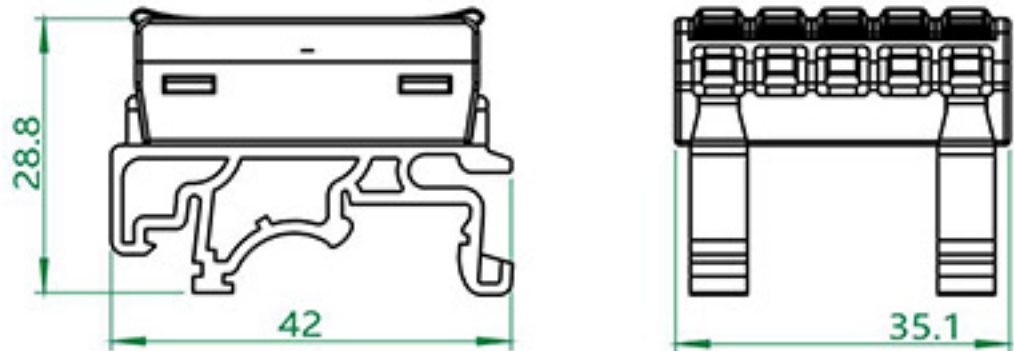


Third Step

Push the lever horizontally to clip the wire for brake



## LT-662 docking series

 <p>LT-662-2D</p>	
 <p>LT-662-3D</p>	
 <p>LT-662-4D</p>	
 <p>LT-662-5D</p>	

0. 4~4mm<sup>2</sup>

0. 5~6mm<sup>2</sup>

450V/4kV/40A







Soft connection



Hard connecting wire



## Technical parameter

Model	LT-662-2D	LT-662-3D	LT-662-4D	LT-662-5D
Appearance Specification				
Reference standard	IEC	IEC	IEC	IEC
Rated voltage	450V	450V	450V	450V
Rated current	40A	40A	40A	40A
Wire diameter	0. 5-6mm <sup>2</sup>	0. 5-6mm <sup>2</sup>	0. 5-6mm <sup>2</sup>	0. 5-6mm <sup>2</sup>
Voltage resistance	4kV	4kV	4kV	4kV
Mechanical properties				
Ambient temperature	-40°C~+105°C	-40°C~+105°C	-40°C~+105°C	-40°C~+105°C
Strip length	11-12mm	11-12mm	11-12mm	11-12mm
L/W/H	42×15.6×28.8	42×22.1×28.8	42×28.6×28.8	42×35.1×28.8
The number of poles	2P	3P	4P	5P
Lid colour				
Plastic parts	PC,UL94,V-2	PC,UL94,V-2	PC,UL94,V-2	PC,UL94,V-2
Shrapnel	S301	S301	S301	S301
Conductor material	T2	T2	T2	T2



First Step

strip the wire 12-14mm



Second Step

Dismantle the orange operation handle straight and plug the wire into the hole.


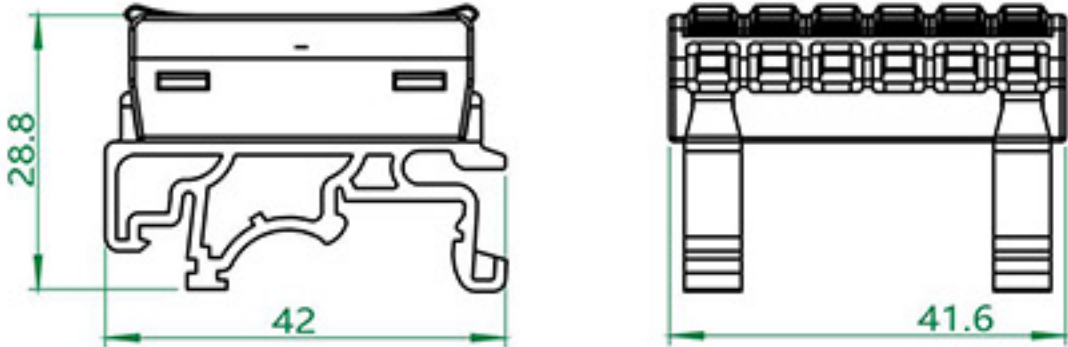

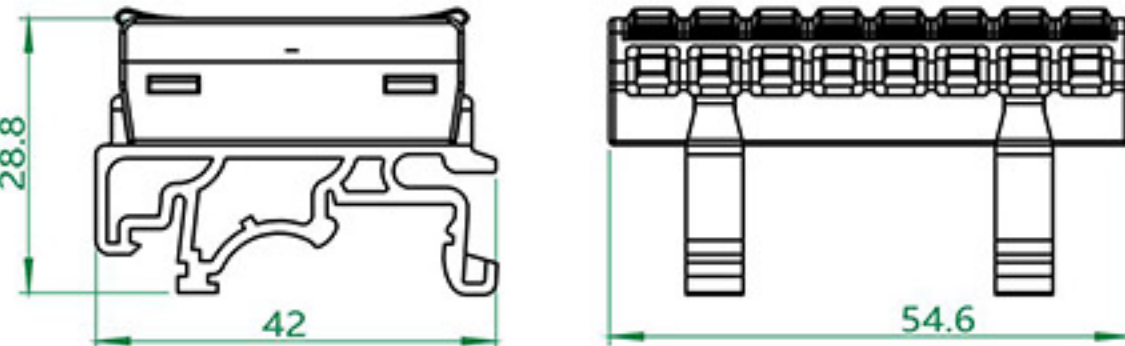

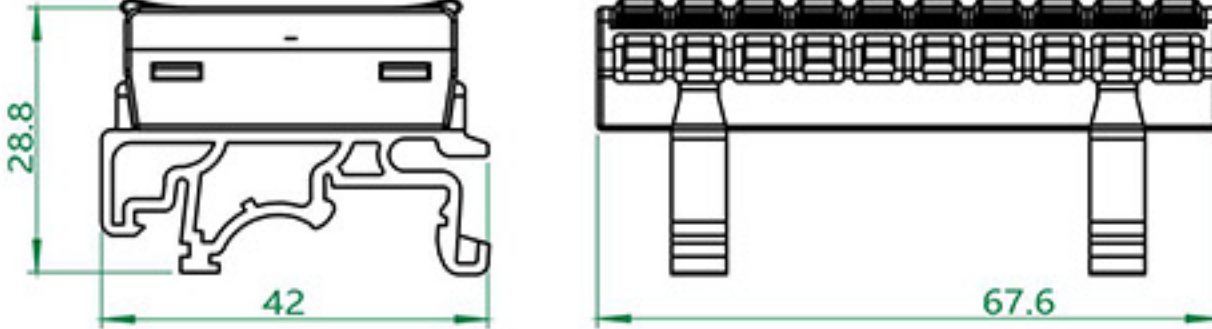

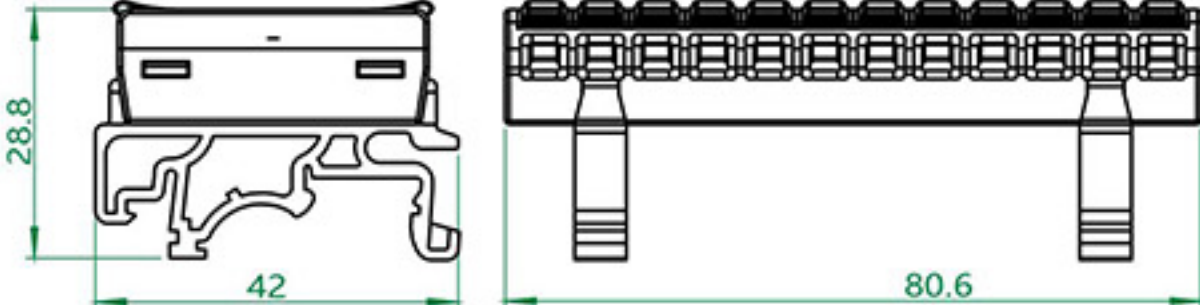


Third Step

Push the lever horizontally to clip the wire for brake



## LT-662 docking series

 <p>LT-662-6D</p>	
 <p>LT-662-8D</p>	
 <p>LT-662-10D</p>	
 <p>LT-662-12D</p>	

0. 4~4mm<sup>2</sup>

0. 5~6mm<sup>2</sup>

450V/4kV/40A







Soft connection



Hard connecting wire



## Technical parameter

Model	LT-662-6D	LT-662-8D	LT-662-10D	LT-662-12D
Appearance Specification				
Reference standard	IEC	IEC	IEC	IEC
Rated voltage	450V	450V	450V	450V
Rated current	40A	40A	40A	40A
Wire diameter	0. 5-6mm <sup>2</sup>	0. 5-6mm <sup>2</sup>	0. 5-6mm <sup>2</sup>	0. 5-6mm <sup>2</sup>
Voltage resistance	4kV	4kV	4kV	4kV
Mechanical properties				
Ambient temperature	-40°C~+105°C	-40°C~+105°C	-40°C~+105°C	-40°C~+105°C
Strip length	11-12mm	11-12mm	11-12mm	11-12mm
L/W/H	42×41.6×28.8	42×54.6×28.8	42×67.6×28.8	42×80.6×28.8
The number of poles	6P	8P	10P	12P
Lid colour				
Plastic parts	PC,UL94,V-2	PC,UL94,V-2	PC,UL94,V-2	PC,UL94,V-2
Shrapnel	S301	S301	S301	S301
Conductor material	T2	T2	T2	T2



First Step

strip the wire 12-14mm



Second Step

Dismantle the orange operation handle straight and plug the wire into the hole.


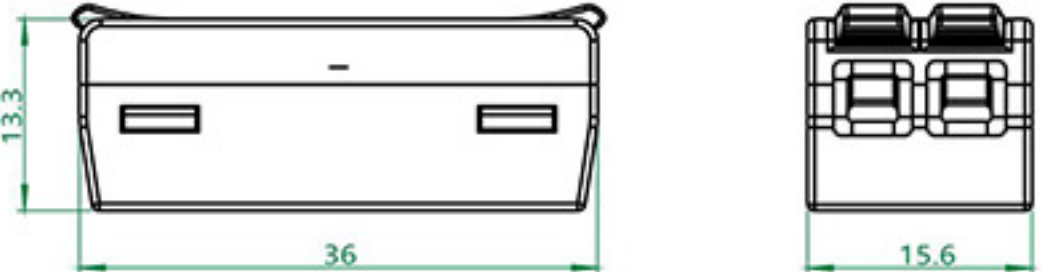

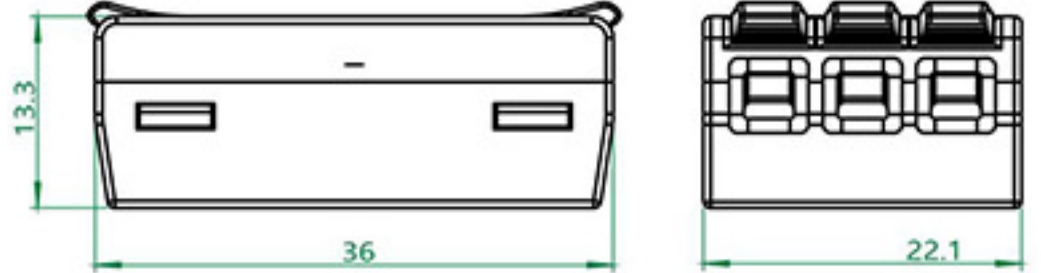

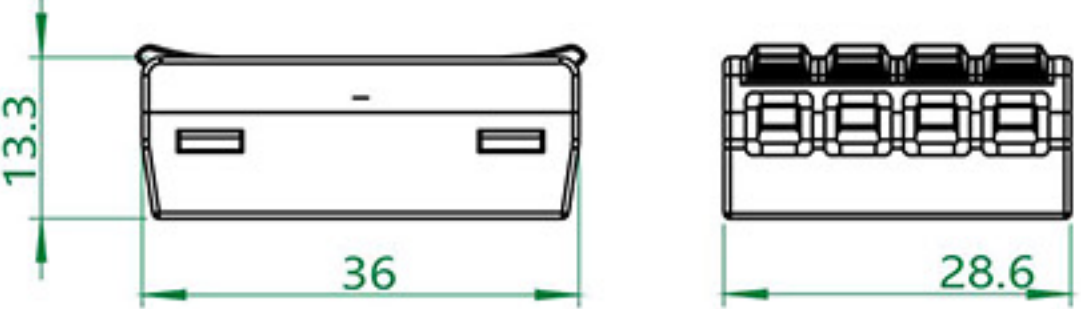

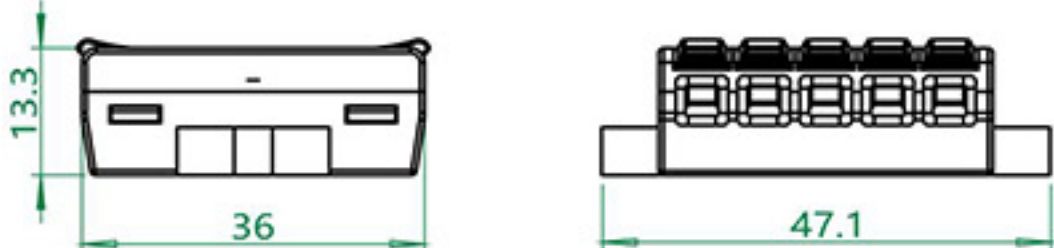


Third Step

Push the lever horizontally to clip the wire for brake



## LT-662 docking series

 <p>LT-662-2</p>	
 <p>LT-662-3</p>	
 <p>LT-662-4</p>	
 <p>LT-662-5</p>	

0. 4~4mm<sup>2</sup>

0. 5~6mm<sup>2</sup>

450V/4kV/40A







Soft connection



Hard connecting wire



## Technical parameter

Model	LT-662-2	LT-662-3	LT-662-4	LT-662-5
Appearance Specification				
Reference standard	IEC	IEC	IEC	IEC
Rated voltage	450V	450V	450V	450V
Rated current	40A	40A	40A	40A
Wire diameter	0. 5-6mm <sup>2</sup>	0. 5-6mm <sup>2</sup>	0. 5-6mm <sup>2</sup>	0. 5-6mm <sup>2</sup>
Voltage resistance	4kV	4kV	4kV	4kV
Mechanical properties				
Ambient temperature	-40°C~+105°C	-40°C~+105°C	-40°C~+105°C	-40°C~+105°C
Strip length	11-12mm	11-12mm	11-12mm	11-12mm
L/W/H	36×15.6×13.3	36×22.1×13.3	36×28.6×13.3	36×47.1×13.3
The number of poles	2P	3P	4P	5P
Lid colour				
Plastic parts	PC,UL94,V-2	PC,UL94,V-2	PC,UL94,V-2	PC,UL94,V-2
Shrapnel	S301	S301	S301	S301
Conductor material	T2	T2	T2	T2



First Step

strip the wire 11-12mm



Second Step

Dismantle the orange operation handle straight and plug the wire into the hole.


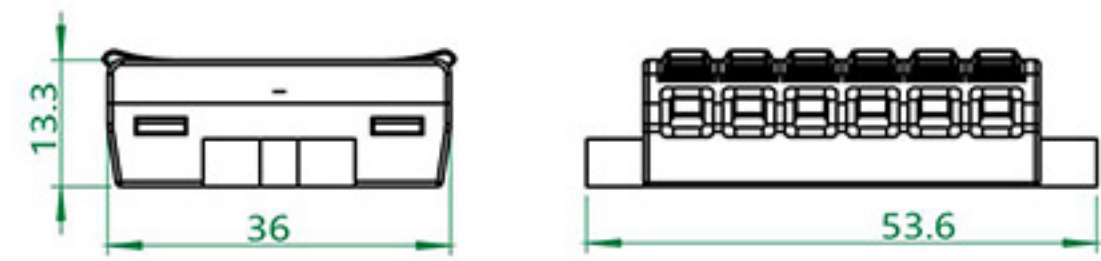

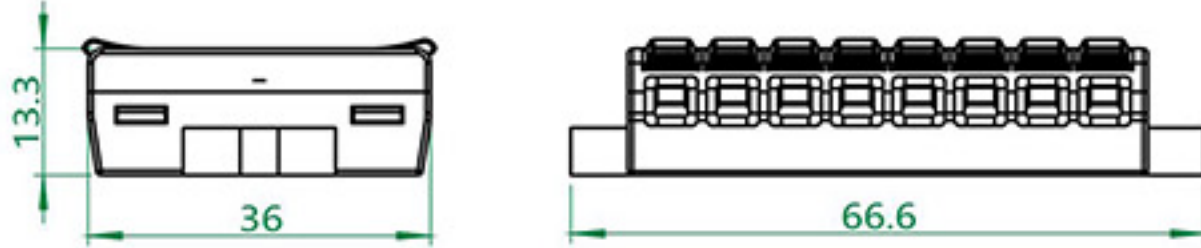

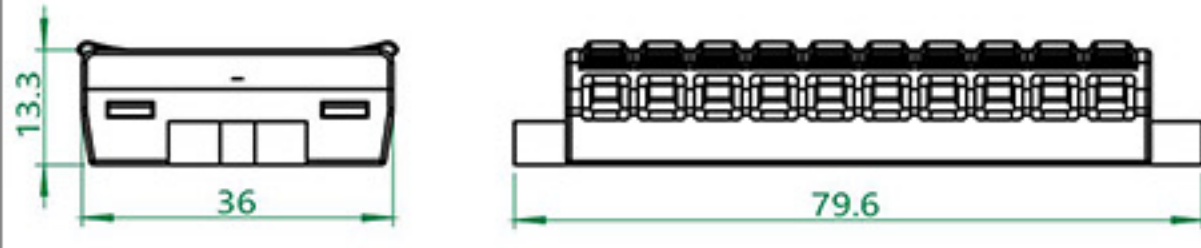

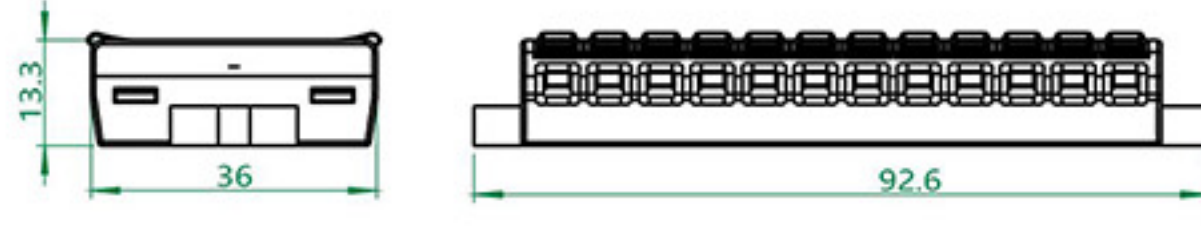


Third Step

Push the lever horizontally to clip the wire for brake



## LT-662 Docking series

 <p>LT-662-6</p>	
 <p>LT-662-8</p>	
 <p>LT-662-10</p>	
 <p>LT-662-12</p>	

0.4~4mm<sup>2</sup>

0.5~6mm<sup>2</sup>

450V/4kV/40A







Soft connection



Hard connecting wire



## Technical parameter

Model	LT-662-6	LT-662-8	LT-662-10	LT-662-12
Appearance Specification				
Reference standard	IEC	IEC	IEC	IEC
Rated voltage	450V	450V	450V	450V
Rated current	40A	40A	40A	40A
Wire diameter	0.5-6mm <sup>2</sup>	0.5-6mm <sup>2</sup>	0.5-6mm <sup>2</sup>	0.5-6mm <sup>2</sup>
Voltage resistance	4kV	4kV	4kV	4kV
Mechanical properties				
Ambient temperature	-40°C~+105°C	-40°C~+105°C	-40°C~+105°C	-40°C~+105°C
Strip length	11-12mm	11-12mm	11-12mm	11-12mm
L/W/H	36×53.6×13.3	36×66×13.3	36×79.6×13.3	36×92.6×13.3
The number of poles	6P	8P	10P	12P
Lid colour				
Plastic parts	PC,UL94,V-2	PC,UL94,V-2	PC,UL94,V-2	PC,UL94,V-2
Shrapnel	S301	S301	S301	S301
Conductor material	T2	T2	T2	T2



First Step

strip the wire 12-14mm



Second Step

Dismantle the orange operation handle straight and plug the wire into the hole.


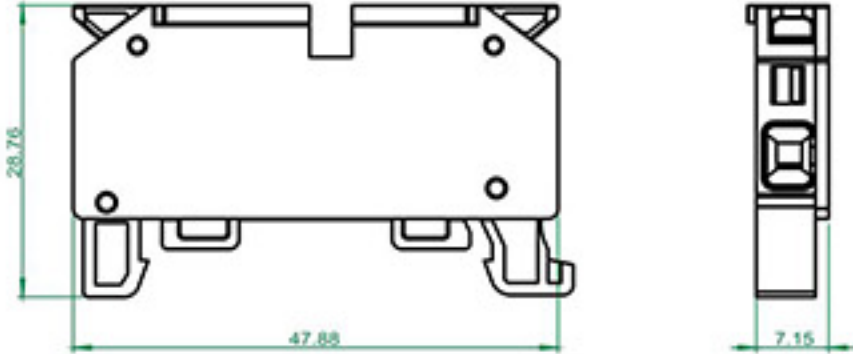

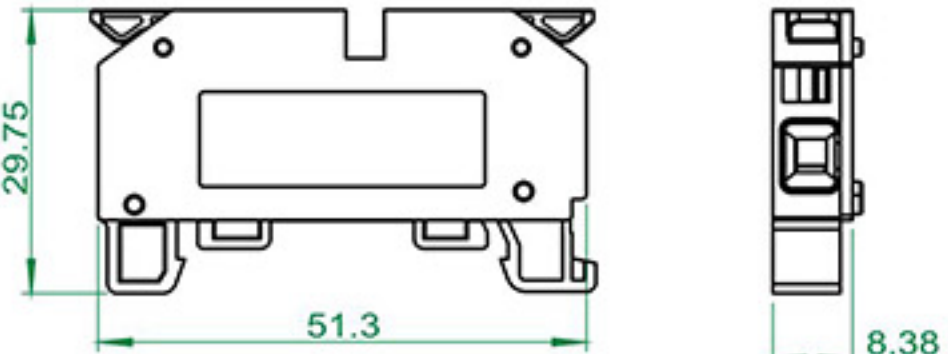
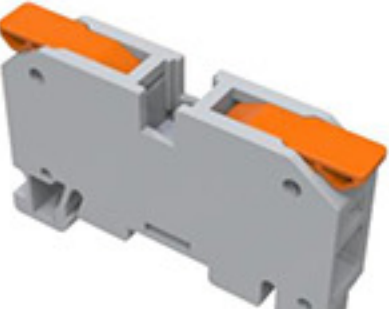
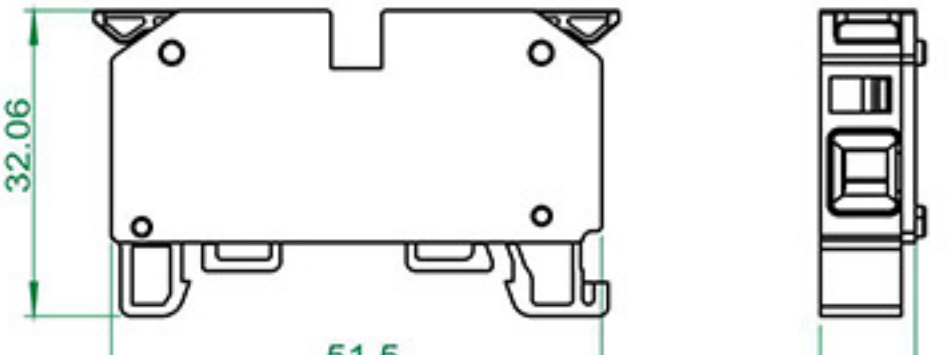

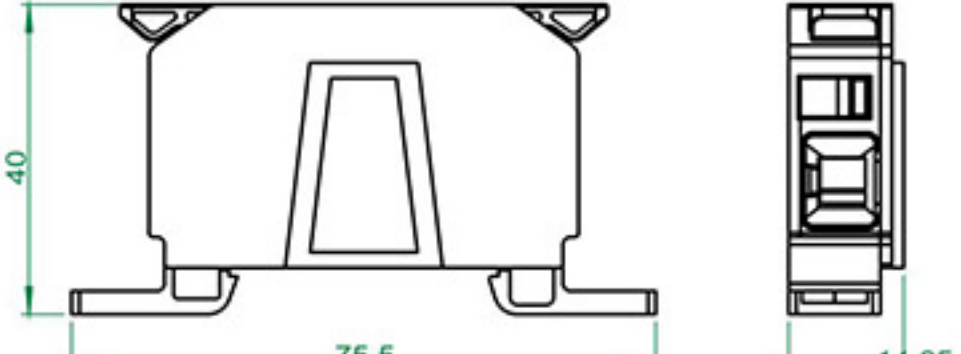


Third Step

Push the lever horizontally to clip the wire for brake



## LT-6 Docking series

 <p>LT-4</p>	
 <p>LT-6</p>	
 <p>LT-10</p>	
 <p>LT-25</p>	

1~10mm<sup>2</sup>

1~25mm<sup>2</sup>

600V/4kV/50A



Soft connection



Hard connecting wire



## Technical parameter

Model	LT-4	LT-6	LT-10	LT-25
Appearance Specification				
Reference standard				
Rated voltage	450V	600V	600V	600V
Rated current	32A	50A	50A	50A
Wire diameter	1-4mm <sup>2</sup>	1-6mm <sup>2</sup>	6-10mm <sup>2</sup>	10-25mm <sup>2</sup>
Voltage resistance	4kV	4kV	4kV	4kV
Mechanical properties				
Ambient temperature	-40°C~+105°C	-40°C~+105°C	-40°C~+105°C	-40°C~+105°C
Strip length	11-12mm	11-12mm	11-12mm	11-12mm
L/W/H	47.9×7.1×28.7	51.3×8.4×29.7	51.5×10×32	75.5×14.8×40
The number of poles	1P	1P	1P	1P
Lid colour				
Plastic parts	PC,UL94,V-2	PC,UL94,V-2	PC,UL94,V-2	PC,UL94,V-2
Shrapnel	S301	S301	S301	S301
Conductor material	T2	T2	T2	T2

### First Step

strip the wire 12-14mm

### Second Step


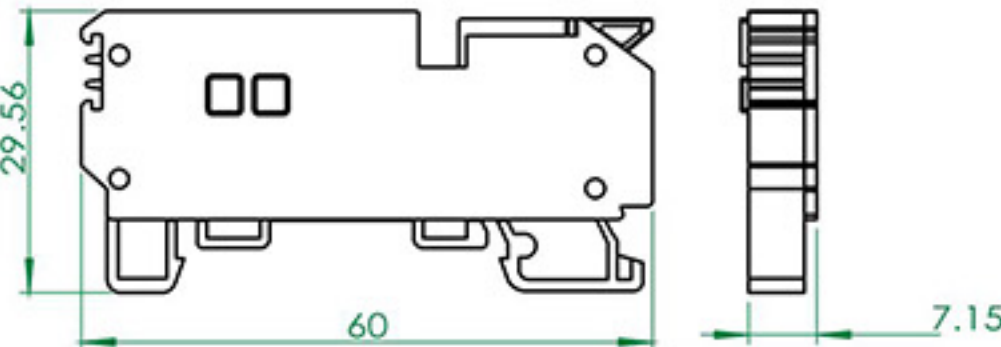

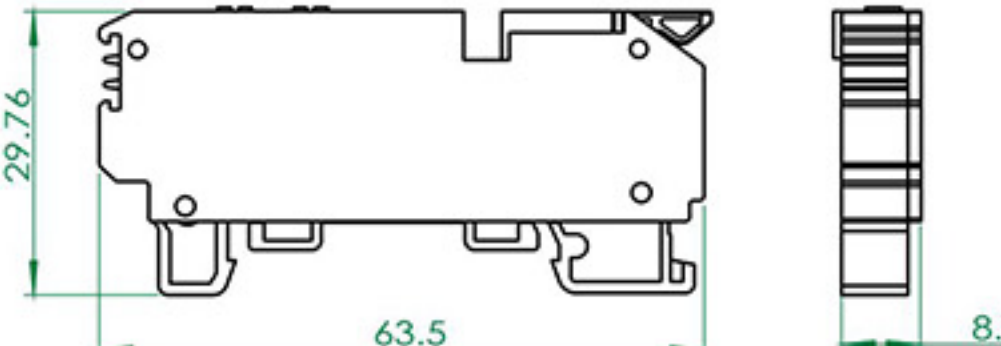
Dismantle the orange operation handle straight and plug the wire into the hole.

### Third Step

Push the lever horizontally to clip the wire for brake



## LT-6 Docking series

 <p>LT-4F</p>	
 <p>LT-6F</p>	

1~6mm<sup>2</sup>

1~6mm<sup>2</sup>

600V/4kV/50A



Soft connection



Hard connecting wire



## Technical parameter

Model	LT-4F	LT-6F		
Appearance Specification				
Reference standard				
Rated voltage	450V	600V		
Rated current	32A	50A		
Wire diameter	1-4mm <sup>2</sup>	1-6mm <sup>2</sup>		
Voltage resistance	4kV	4kV		
Mechanical properties				
Ambient temperature	-40°C~+105°C	-40°C~+105°C		
Strip length	11-12mm	11-12mm		
L/W/H	60×7.15×26.6	63.5×8.3×29.7		
The number of poles	1P	1P		
Lid colour				
Plastic parts	PC,UL94,V-2	PC,UL94,V-2		
Shrapnel	S301	S301		
Conductor material	T2	T2		

### First Step

Strip the wire 12-14mm

### Second Step


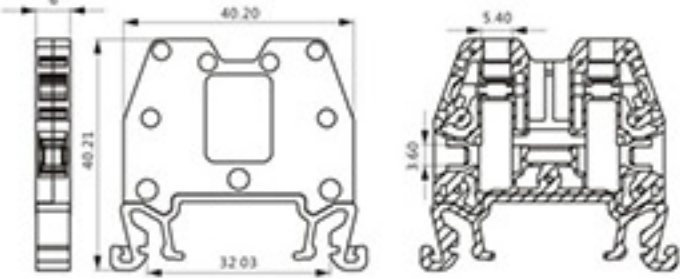

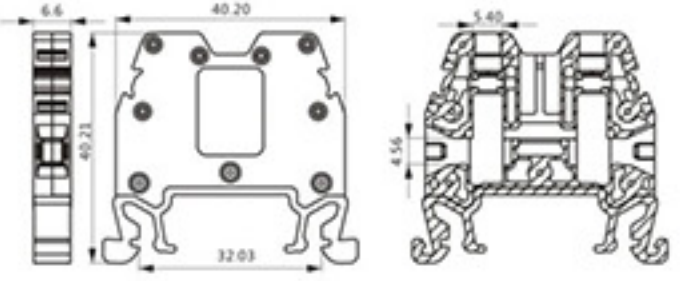

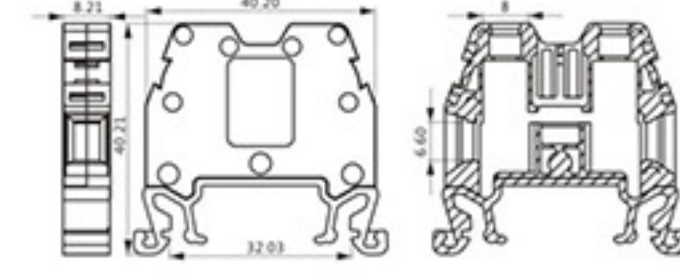

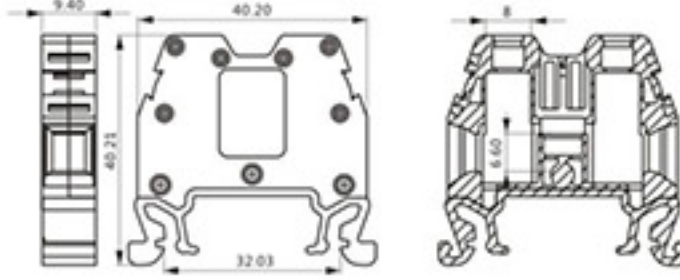
Dismantle the orange operation handle straight and plug the wire into the hole.

### Third Step

Push the lever horizontally to clip the wire for brake



## MRK series

 <p>MRK-2.5</p>	
 <p>MRK-4</p>	
 <p>MRK-6</p>	
 <p>MRK-10</p>	

0.2~10mm<sup>2</sup>

0.2~16mm<sup>2</sup>

750V/4kV/57A







Soft connection



Hard connecting wire


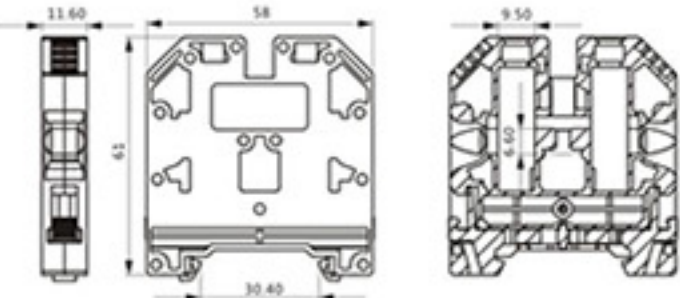
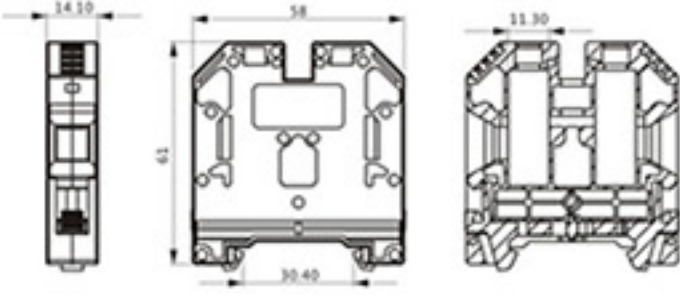

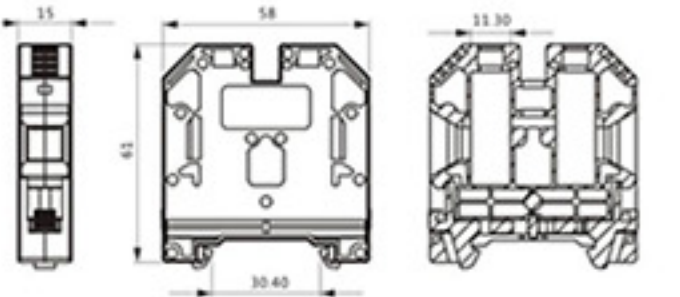
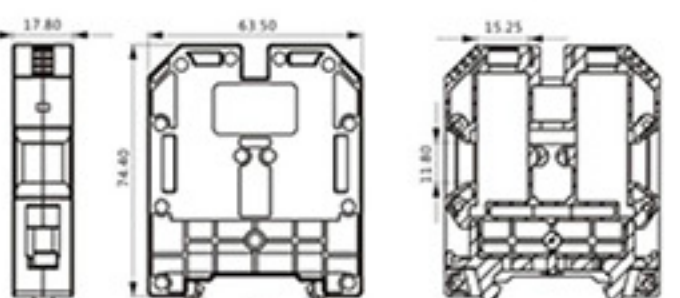


## Technical parameter

Model	MRK-2.5	MRK-4	MRK-6	MRK-10
Appearance Specification				
Reference standard				
Rated voltage	750V	750V	750V	750V
Rated current	24A	32A	40A	57A
Wire diameter	0.2-4mm <sup>2</sup>	0.2-6mm <sup>2</sup>	0.2-10mm <sup>2</sup>	0.5-16mm <sup>2</sup>
Voltage resistance	4kV	4kV	4kV	4kV
Mechanical properties				
Ambient temperature	-40°C~+105°C	-40°C~+105°C	-40°C~+105°C	-40°C~+105°C
Strip length				
L/W/H	40.2×6×40.2	40.2×6.6×40.2	40.2×6.6×40.2	40.2×9.4×40.2
The number of poles	1P	1P	1P	1P
Lid colour				
Plastic parts	PA6,V-2	PA6,V-2	PA6,V-2	PA6,V-2
Shrapnel				
Conductor material	T2	T2	T2	T2



## MRK series

 <p>MRK-16</p>	
 <p>MRK-25</p>	
 <p>MRK-35</p>	
 <p>MRK-50</p>	

2.5~50mm<sup>2</sup>

4.0~50mm<sup>2</sup>

750V/4kV/150A







Soft connection



Hard connecting wire


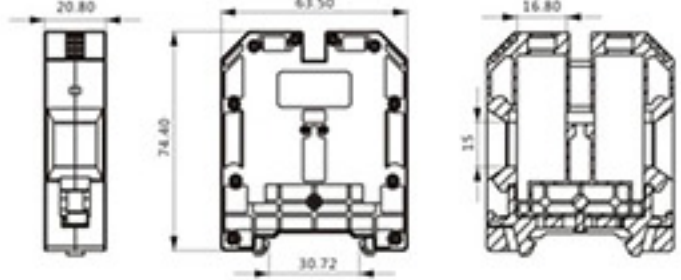

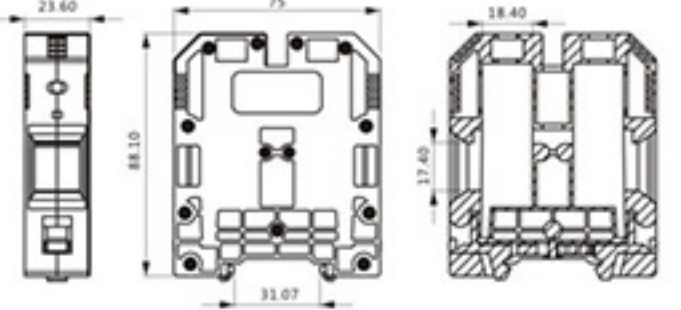

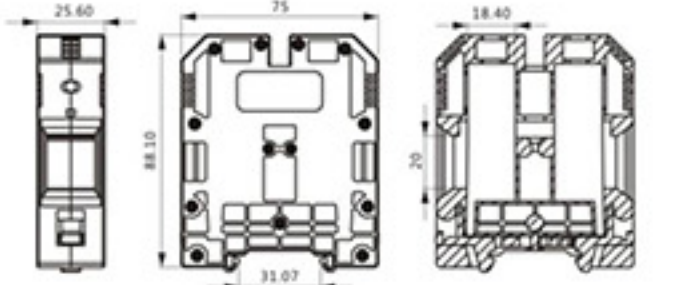


## Technical parameter

Model	MRK-16	MRK-25	MRK-35	MRK-50
Appearance Specification				
Reference standard				
Rated voltage	750V	750V	750V	750V
Rated current	82A	100A	125A	150A
Wire diameter	2.5~25mm <sup>2</sup>	10~25mm <sup>2</sup>	10~35mm <sup>2</sup>	16~50mm <sup>2</sup>
Voltage resistance	4kV	4kV	4kV	4kV
Mechanical properties				
Ambient temperature	-40°C~+105°C	-40°C~+105°C	-40°C~+105°C	-40°C~+105°C
Strip length				
L/W/H	58×11.6×61	58×14.1×61	58×15×61	63.5×17.8×74.4
The number of poles	1P	1P	1P	1P
Lid colour				
Plastic parts	PA6,V-2	PA6,V-2	PA6,V-2	PA6,V-2
Shrapnel				
Conductor material	T2	T2	T2	T2



## MRK series

 <p>MRK-70</p>	
 <p>MRK-95</p>	
 <p>MRK-120</p>	

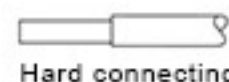
20~120mm<sup>2</sup>

25~120mm<sup>2</sup>

1000V/4kV/269A






Soft connection



Hard connecting wire

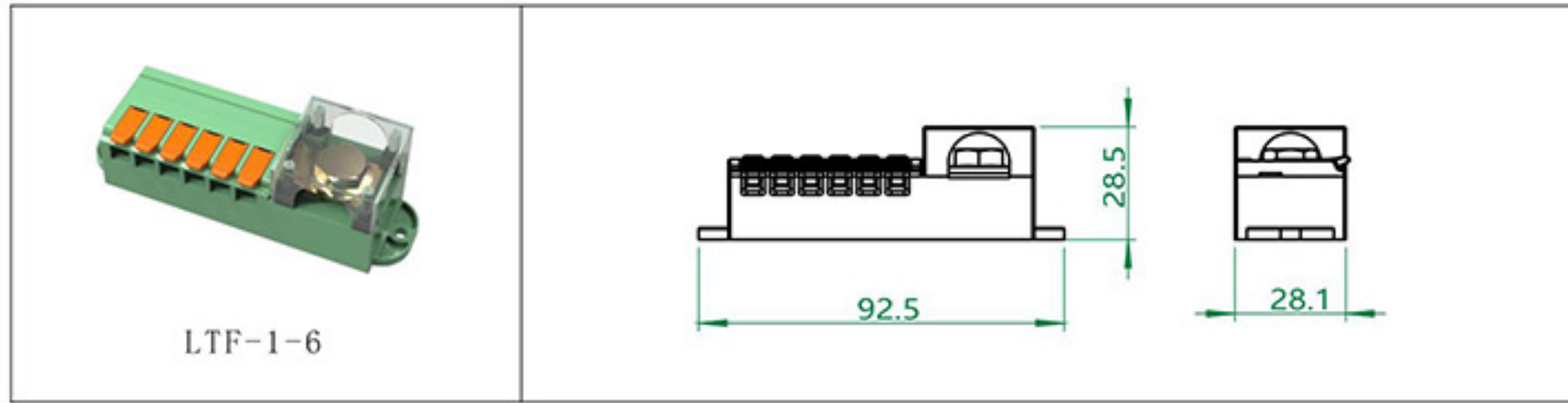


## Technical parameter

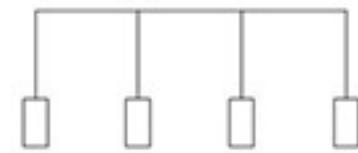
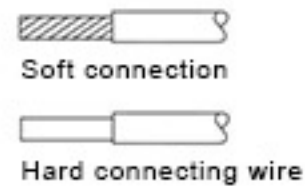
Model	MRK-70	MRK-95	MRK-120	
Appearance Specification				
Reference standard				
Rated voltage	750V	1000V	1000V	
Rated current	192A	232A	269A	
Wire diameter	20~70mm <sup>2</sup>	25~95mm <sup>2</sup>	35~120mm <sup>2</sup>	
Voltage resistance	4kV	4kV	4kV	
Mechanical properties				
Ambient temperature	-40°C~+105°C	-40°C~+105°C	-40°C~+105°C	
Strip length				
L/W/H	63.5×20.8×74.4	75×23.6×88.1	75×25.6×88.1	
The number of poles	1P	1P	1P	
Lid colour				
Plastic parts	PA6,V-2	PA6,V-2	PA6,V-2	
Shrapnel				
Conductor material	T2	T2	T2	



## LTF-1 series




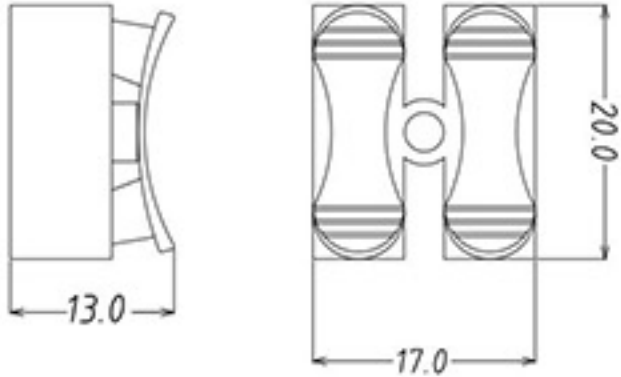

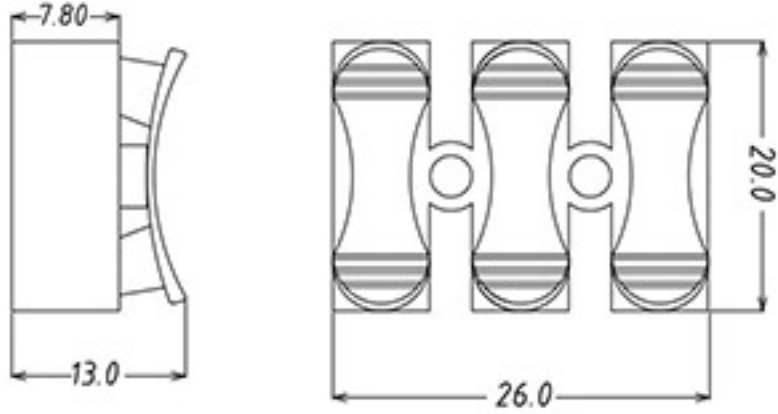

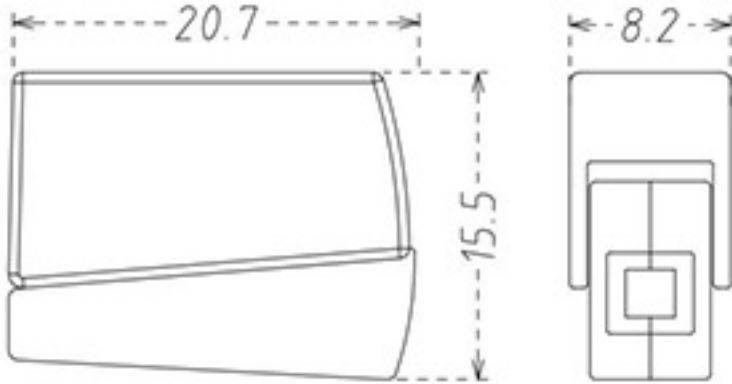
0.5~6mm<sup>2</sup>  
450V/4kV/41A



## Technical parameter

Model	LTF-1-6			
Appearance Specification				
Reference standard	IEC			
Rated voltage	450V			
Rated current	41A			
Wire diameter	0.5~6mm <sup>2</sup>			
Voltage resistance	4kV			
Mechanical properties				
Ambient temperature	-40°C~+105°C			
Strip length	12-14mm			
L/W/H	92.5×28.1×28.5			
The number of poles	1P			
Lid colour	●			
Plastic parts	PC,UL94,V-2			
Shrapnel	S301			
Conductor material	T2			

## Docking series

 <p>CH-2</p>	
 <p>CH-3</p>	
 <p>PCT-111</p>	

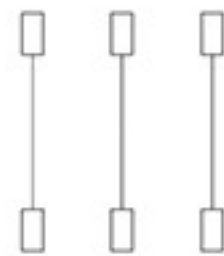
0.5~2.5mm<sup>2</sup>  
250V/4kV/6A



Soft connection



Hard connecting wire



## Technical parameter

Model	CH-2	CH-3	PCT-111	
Appearance Specification				
Reference standard	IEC	IEC	IEC	
Rated voltage	250V	250V	250V	
Rated current	6A	6A	6A	
Wire diameter	0.5~2.5mm <sup>2</sup>	0.5~2.5mm <sup>2</sup>	0.5~2.5mm <sup>2</sup>	
Voltage resistance	4kV	4kV	4kV	
Mechanical properties				
Ambient temperature	-40°C~+105°C	-40°C~+105°C	-40°C~+105°C	
Strip length	6-8mm	6-8mm	10-11mm	
L/W/H	20×17×13	20×26×13	20.7×8.2×15.5	
The number of poles	2P	3P	1P	
Lid colour	PP,UL94,V-2	PP,UL94,V-2	PP,UL94,V-2	
Plastic parts	S301	S301	S301	
Shrapnel			T2	

Conductor material



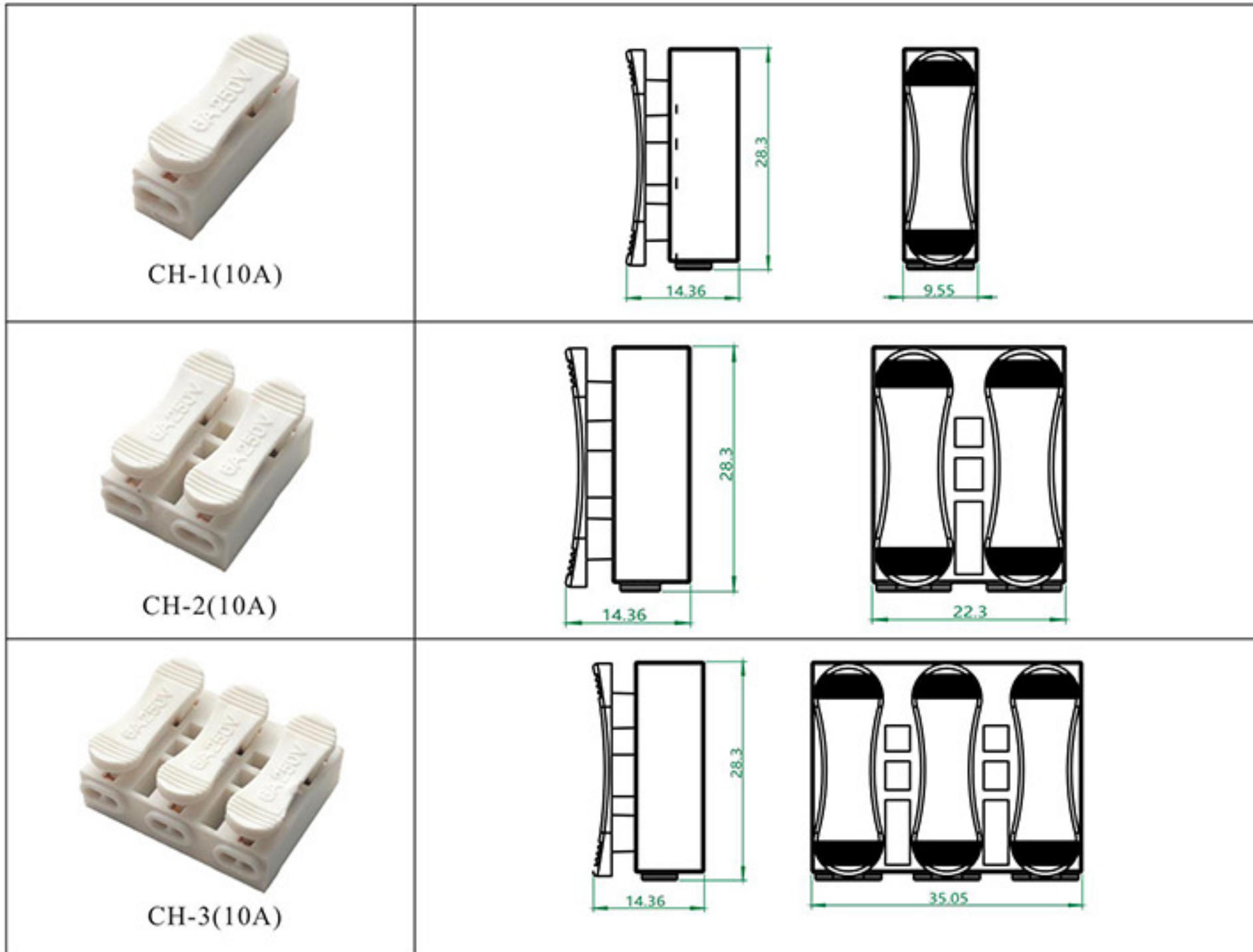
**First Step**  
strip the wire 10-12mm



**Second Step**  
Press and hold the button to fully insert the stripped wire into the connector



## Docking series



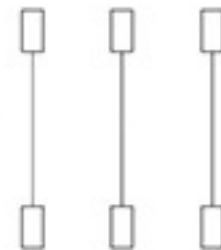
0.5~2.5mm<sup>2</sup>  
250V/4kV/24A



Soft connection



Hard connecting wire



## Technical parameter

Model	CH-1(10A)	CH-2(10A)	CH-3(10A)	
Appearance Specification				
Reference standard	IEC	IEC	IEC	
Rated voltage	250V	250V	250V	
Rated current	10A	10A	10A	
Wire diameter	0.5-2.5mm <sup>2</sup>	0.5-2.5mm <sup>2</sup>	0.5-2.5mm <sup>2</sup>	
Voltage resistance	4kV	4kV	4kV	
Mechanical properties				
Ambient temperature	-40°C~+105°C	-40°C~+105°C	-40°C~+105°C	
Strip length	6-8mm	6-8mm	10-11mm	
L/W/H	28.3×9.55×14.3	28.3×22.3×14.3	28.3×35×14.3	
The number of poles	1P	2P	3P	
Lid colour	PP,UL94,V-2	PP,UL94,V-2	PP,UL94,V-2	
Plastic parts	S301	S301	S301	
Shrapnel	导电片	导电片	导电片	

Conductor material

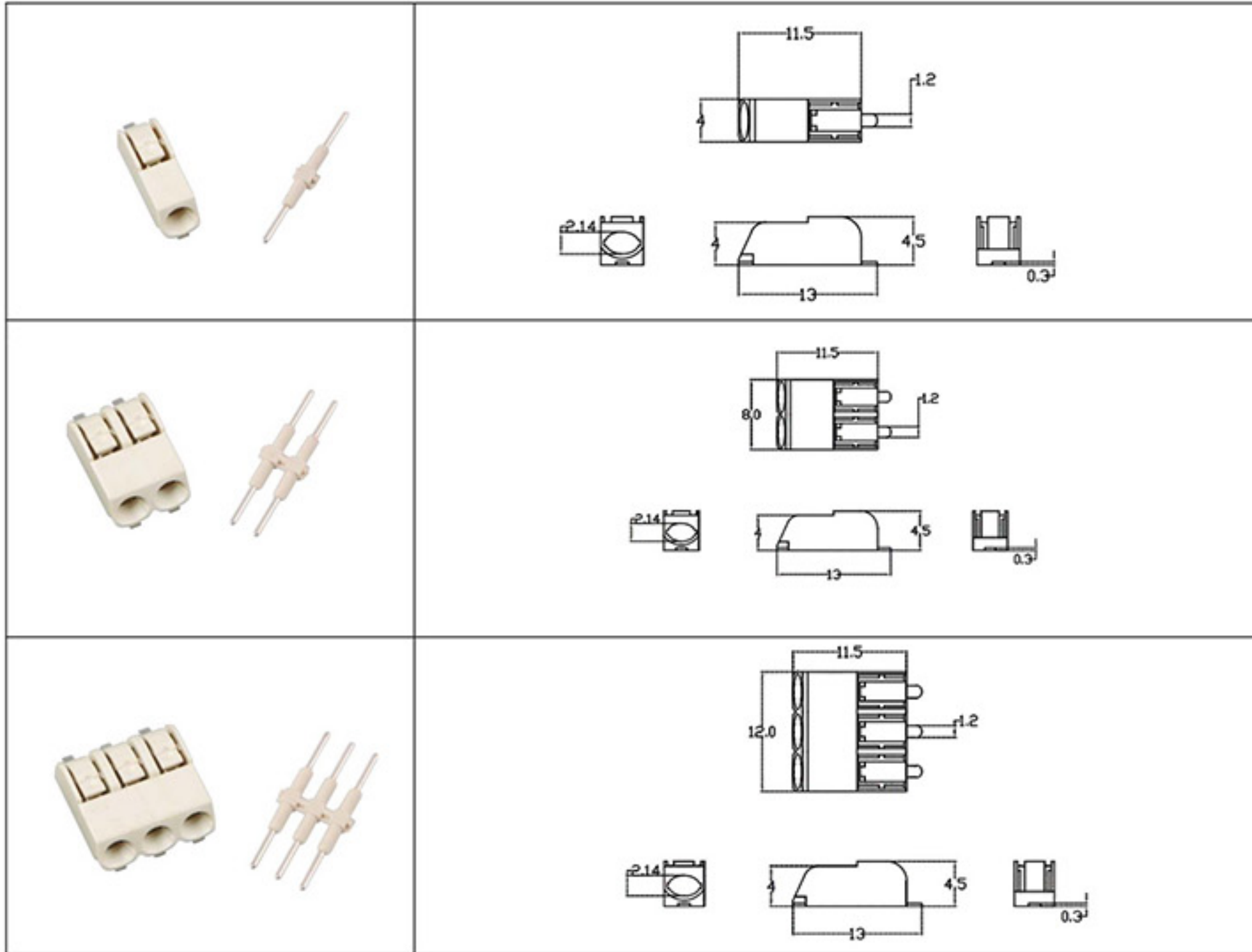


**First Step**  
strip the wire 10-12mm



**Second Step**  
Press and hold the button to fully insert the stripped wire into the connector

## Docking series



## Technical parameter

Model	1P	2P	3P	
Appearance Specification				
Reference standard	IEC	IEC	IEC	
Rated voltage	300V	300V	300V	
Rated current	9A	9A	9A	
Wire diameter	24-18AWG	24-18AWG	24-18AWG	
Voltage resistance	2.5kV	2.5kV	2.5kV	
Mechanical properties				
Ambient temperature	-40°C~+105°C	-40°C~+105°C	-40°C~+105°C	
Strip length	6-7mm	6-7mm	6-7mm	
L/W/H	11.5×4×4.5	11.5×8×4.5	11.5×12×4.5	
The number of poles	1P	2P	3P	
Lid colour	PA66 94V-0	PA66 94V-0	PA66 94V-0	
Plastic parts				
Shrapnel	T2	T2	T2	
Conductor material				